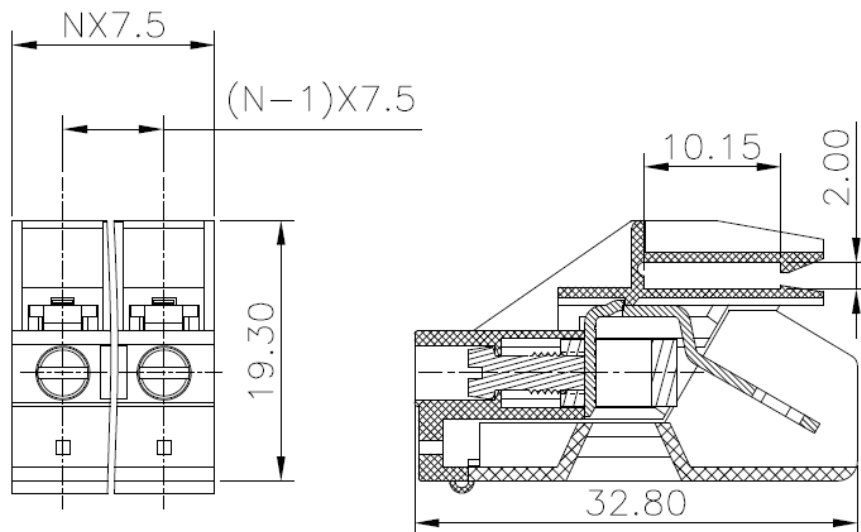




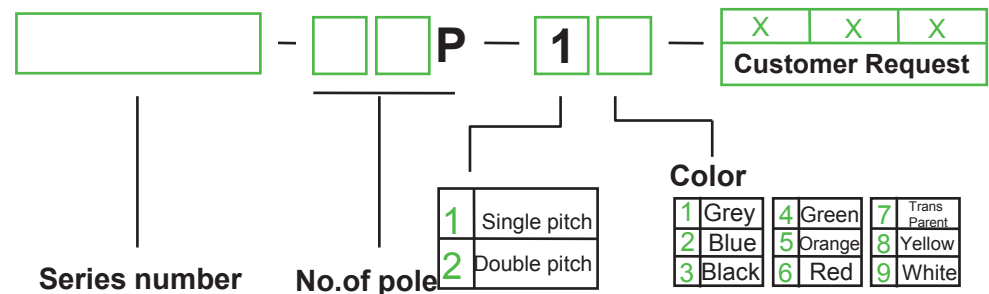
DEGSON ELECTRONICS CO., LTD.

Product Specification



| | | |
|----------------------|--------------------------------------|------------------------|
| APPROVAL | | |
| Electrical | | |
| Standard | UL | IEC |
| Rated voltage | 600V | 450V |
| Rated current | 30A | 32A |
| Wire range | 20-10AWG | 0.5-4.0mm ² |
| Withstanding voltage | AC2500V/1Min | |
| Mechanical | | |
| Torque | 0.5Nm(4.4Lb-In) | |
| Ambient temperature | -40°C~+105°C | |
| Strip length | 10-12mm | |
| Dimensions | | |
| Poles | 7.5mm(.295") | |
| | 1P -3P | |
| Material | | |
| Housing | PA66,UL94V-0 | |
| Screws | M3, Steel,Cr ³⁺ Zn plated | |
| Contact | Copper, Tin plated | |
| Cage | Brass ,Ni plated | |

HOW TO ORDER :



| | |
|--|-------------------------------------|
| | DEGSON ELECTRONICS CO., LTD. |
| | NAME TSCB4 |