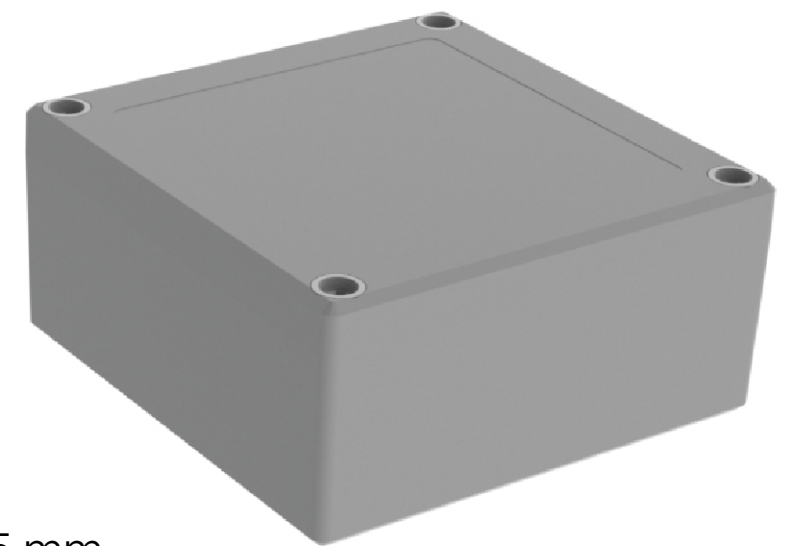


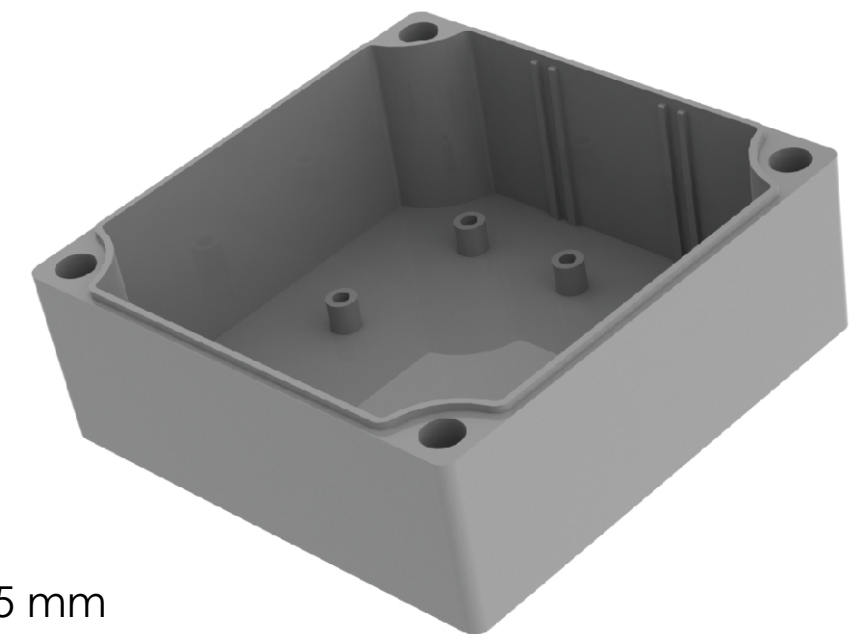
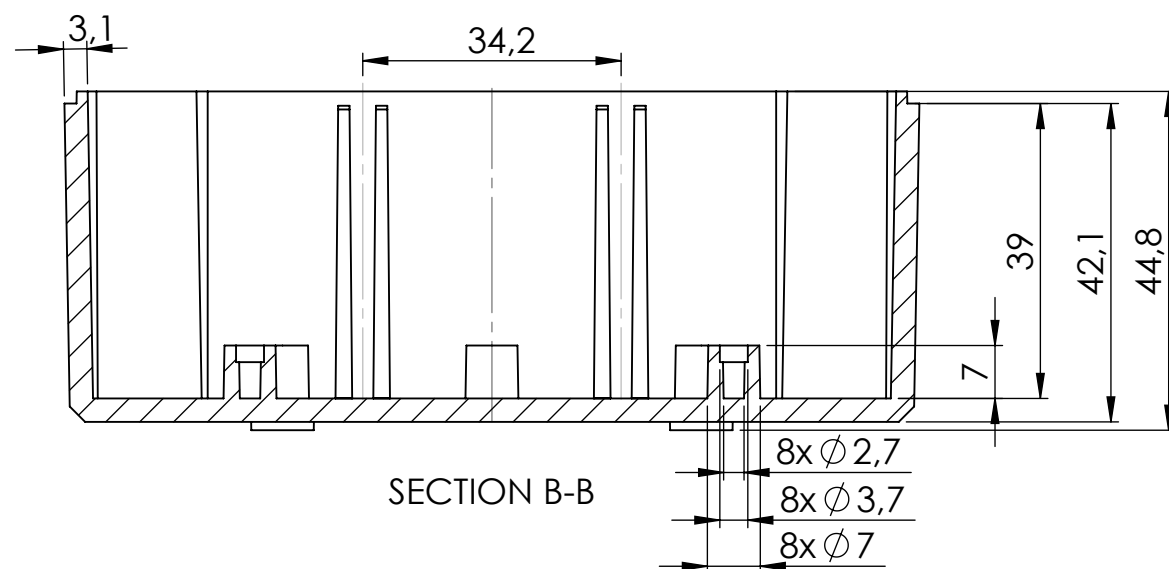
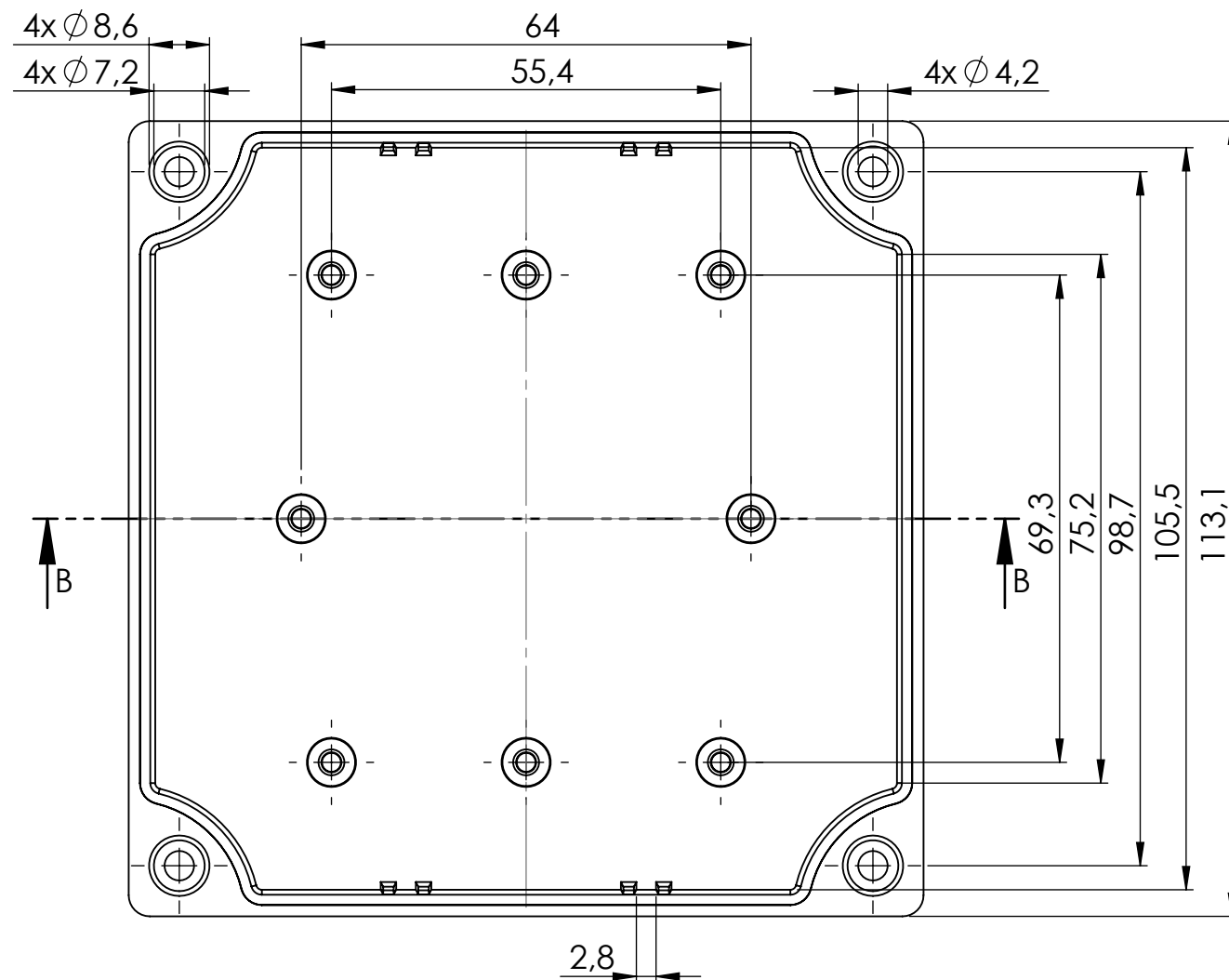
SECTION A-A



- Components:
- body
 - cover
 - 4x plastic screw

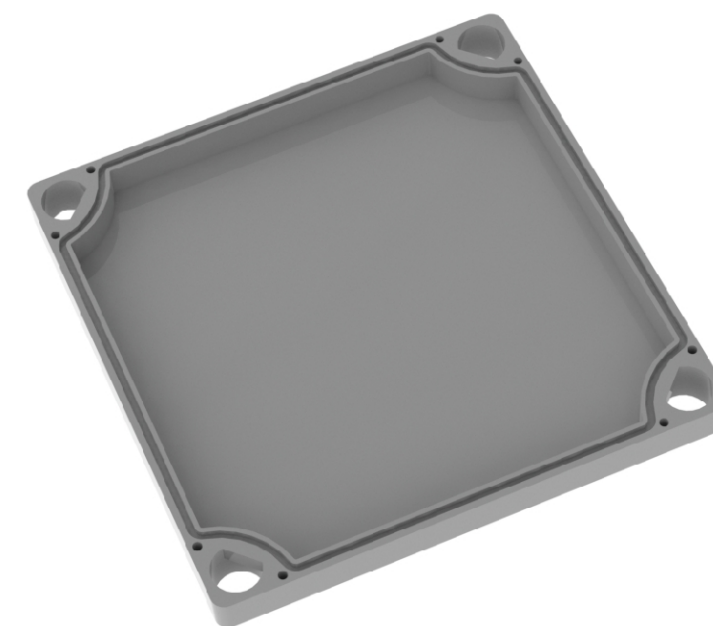
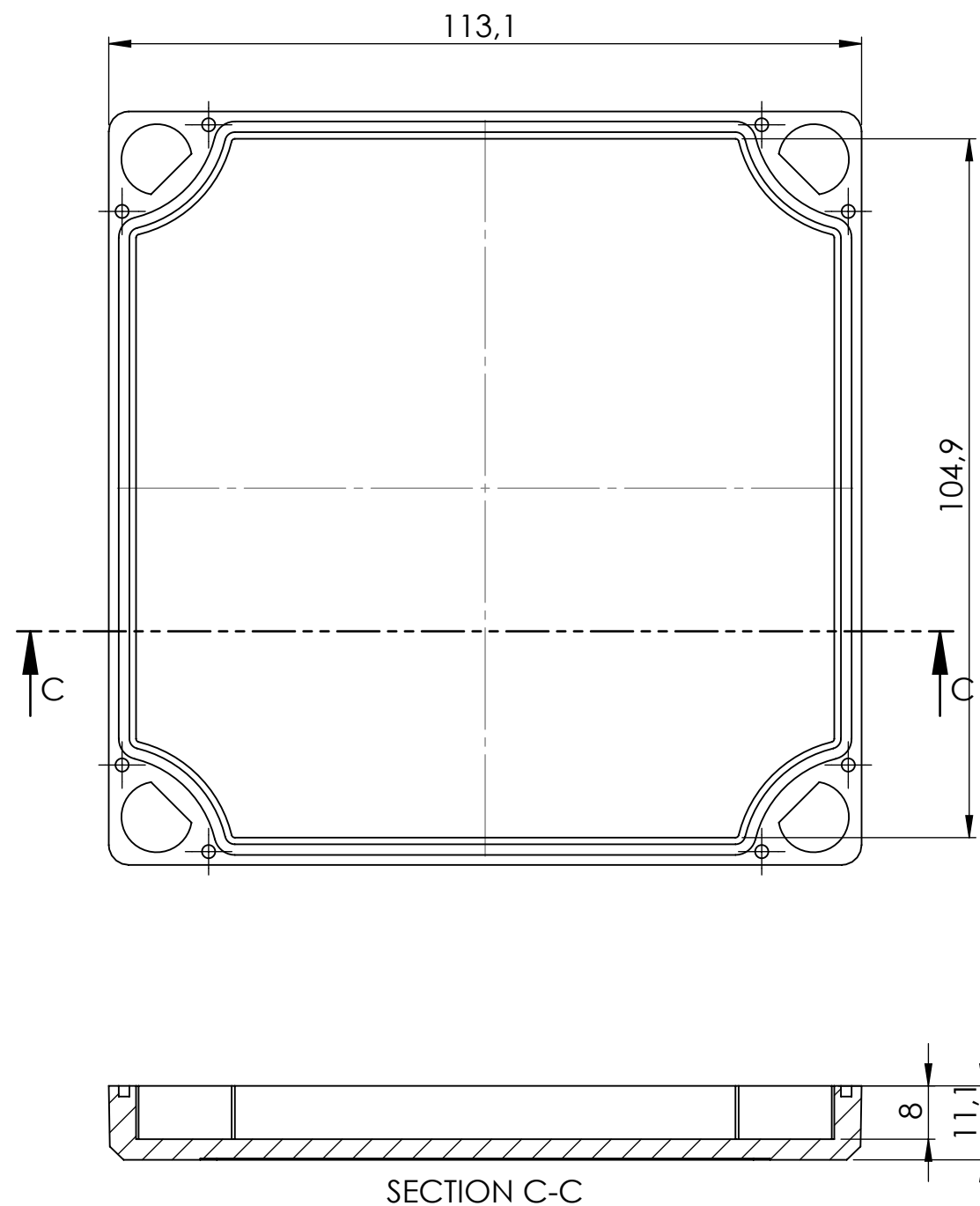
Dimensional tolerance $\pm 0,5$ mm

Format	Scale	 MASZCZYK [®] PLASTIC ENCLOSURES
A3	1:1	
Product No.		„MASZCZYK” 05-071 Sulejówek-Miłosna ul. Mickiewicza 10 tel: (22) 783-45-20 kom: 602-726-086
KM - 500A		



Dimensional tolerance $\pm 0,5$ mm

Format	Scale	 MASZCZYK [®] PLASTIC ENCLOSURES
A3	1:1	
Product No.		„MASZCZYK” 05-071 Sulejówek-Miłosna ul. Mickiewicza 10 tel: (22) 783-45-20 kom: 602-726-086
KM - 500A (body)		



Dimensional tolerance $\pm 0,5$ mm

Format	Scale	 MASZCZYK [®] PLASTIC ENCLOSURES
A3	1:1	
Product No.		„MASZCZYK” 05-071 Sulejówek-Miłosna ul. Mickiewicza 10 tel: (22) 783-45-20 kom: 602-726-086
KM - 500A (cover)		