

IEC Appliance Inlet C20 with Filter, Front or Rear Side Mounting

Standard- or Medical-Filter

Screw-on mounting
from front sideSnap-in mounting
from front sideScrew-on mounting
from rear side
with wires (stranded)C20

70° C**Description**

- Panel Mount:
Screw-on version from front or rear side, snap-in version from front side
- 2 Functions:
Appliance Inlet Protection class I, Line filter in standard and medical version
- Solder, quick connect or wires (stranded)

Approvals

- VDE Certificate Number: 104884
- UL File Number: E72928

Characteristics

- Compact design with optimal shielding
Suitable for assembly in metal plated plastic housings
- Version with class X1 and X2 (standard version) capacitors
- Universal line filter for standard applications
Designed for standard and medical applications
- Qualified for use in equipment according IEC/EN 60950

Other versions on request

- 16A according to UL
- Capacity CX 330 nF

References**Weblinks**

[pdf](#), [html](#), [General Product Information](#), [Approvals](#), [RoHS](#), [CHINA-RoHS](#), [Mating Connectors](#), [e-Store](#), [SCHURTER-Stock-Check](#), [Distributor-Stock-Check](#), [Accessories](#), [Wire Harness](#)

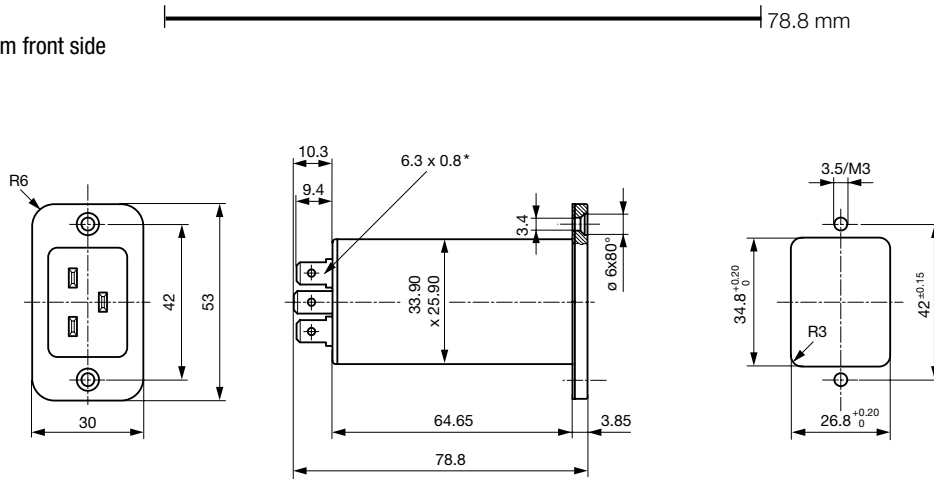
Newly available variants corresponding to V-Lock mating cordset. The connector is equipped with a notch intended for use with the latching cordset. The cord latching system prevents against accidental removal of the cordset.

Technical Data

Ratings IEC	16A @ Ta 40 °C / 250VAC; 50Hz	Appliance-Inlet/-Outlet	C20 acc. to IEC/EN 60320-1, UL 498, CSA C22.2 no. 42 (for cold conditions) pin-temperature 70 °C, 16A, Protection Class 1
Ratings UL/CSA	20A @ Ta 40 °C / 250VAC; 60Hz	Line Filter	Standard and Medical Version, IEC 60939, IEC 60601-1, UL 1283, UL 544, EN 133 200, CSA C22.2 no. 8 Technical details
Leakage Current	standard < 0.5 mA (250 V / 60Hz) medical < 5 µA (250 V / 60 Hz)	MTBF	> 3'000'000h acc. to MIL-HB-217 F
Dielectric Strength	> 1.7 kVDC between L-N (Cy2) > 2.7 kVDC between L/N-PE (Cy2) Test voltage (2 sec)		
Impulse Withstand Voltage	> 2.5 kV between L-N (CX2) > 4 kV between L-N (CX1) > 5 kV between L/N-PE (Cy2) voltage (1.2/50 µs)		
Allowable Operation Temp.	-25 °C to 85 °C		
Climatic Category	25/085/21 acc. to IEC 60068-1		
Degree of Protection	from front side IP 40 acc. to IEC 60529		
Protection Class	Suitable for appliances with protection class 1 acc. to IEC 61140		
Terminal	Solder, quick connect or wires (stranded)		
Panel Thickness s	Screw: max 8 mm Mounting screw torque max 0.5 Nm Snap-in: 1 mm to 3 mm		
Material: Housing	Thermoplastic, black, UL 94V-0		

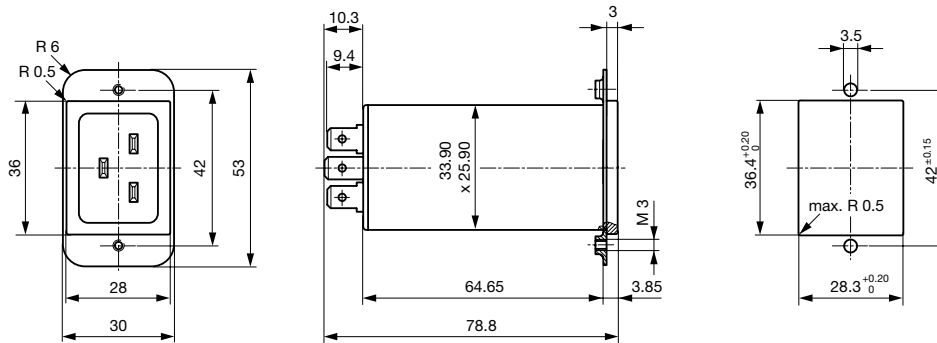
Dimensions

Screw-on mounting from front side

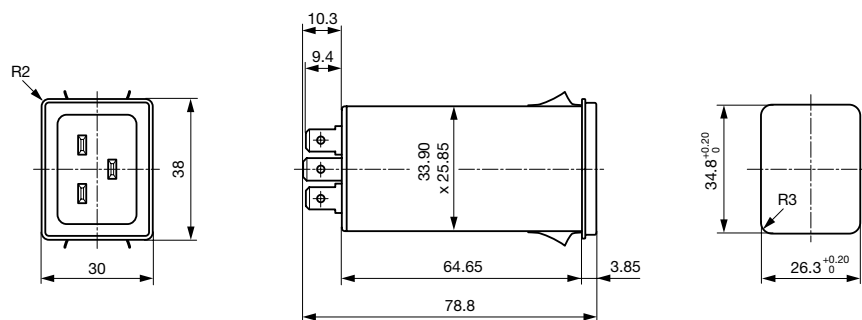


* Solder terminal: identical outer dimensions

Screw-on mounting from rear side with metal flange



Snap-in mounting from front side

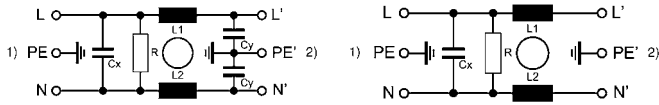


Technical Data of Filter-Components

Rated Current [A]	Filter-Type	Inductances L [mH]	Capacitance CX [nF]	Capacitance CY [nF]	R [MΩ]
16	Standard Version	2 x 0.3	100	2.2	1
16	Medical Version (M5)	2 x 0.3	100	-	1
16	Medical Version (M80)	2 x 0.3	100	0.47	1

Diagrams

Standard or medical version (M80) Medical version



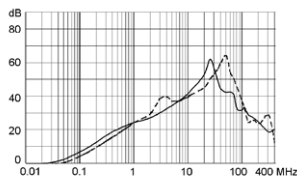
1) Line
2) Load

1) Line
2) Load

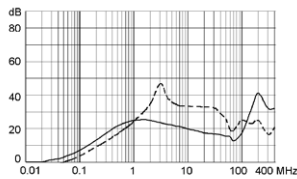
Attenuation Loss

- - - differential mode _____ common mode

Standard version
20 A



Medical version (M5)
20 A



Variants

Rated Current IEC [A]	Rated Current UL [A]	Filter-Type	Panel mounting	Mounting side	Terminal	Capacitor	Order Number
16	20	Standard Version	Screw	Front-Side	Quick connect terminals 6.3 x 0.8 mm	X2	C20F.0101
16	20	Standard Version	Screw	Front-Side	Quick connect terminals 6.3 x 0.8 mm	X1	C20F.0103
16	20	Standard Version	Screw	Front-Side	Solder terminals	X2	C20F.0001
16	20	Standard Version	Screw	Front-Side	Solder terminals	X1	C20F.0003
16	20	Standard Version	Screw	Rear-Side	Flexible wire AWG14	X2	C20F.0221
16	20	Standard Version	Screw	Rear-Side	Flexible wire AWG14	X1	C20F.0223
16	20	Standard Version	Screw	Rear-Side	Quick connect terminals 6.3 x 0.8 mm	X2	C20F.0121
16	20	Standard Version	Screw	Rear-Side	Quick connect terminals 6.3 x 0.8 mm	X1	C20F.0123
16	20	Standard Version	Screw	Rear-Side	Solder terminals	X2	C20F.0021
16	20	Standard Version	Screw	Rear-Side	Solder terminals	X1	C20F.0023
16	20	Standard Version	Snap-in	Front-Side	Quick connect terminals 6.3 x 0.8 mm	X2	C20F.0111
16	20	Standard Version	Snap-in	Front-Side	Quick connect terminals 6.3 x 0.8 mm	X1	C20F.0113
16	20	Standard Version	Snap-in	Front-Side	Solder terminals	X2	C20F.0011
16	20	Standard Version	Snap-in	Front-Side	Solder terminals	X1	C20F.0013
16	20	Medical Version (M5)	Screw	Front-Side	Quick connect terminals 6.3 x 0.8 mm	X2	C20F.0102
16	20	Medical Version (M5)	Screw	Front-Side	Quick connect terminals 6.3 x 0.8 mm	X1	C20F.0104
16	20	Medical Version (M5)	Screw	Front-Side	Solder terminals	X2	C20F.0002
16	20	Medical Version (M5)	Screw	Front-Side	Solder terminals	X1	C20F.0004
16	20	Medical Version (M5)	Screw	Rear-Side	Flexible wire AWG14	X2	C20F.0222
16	20	Medical Version (M5)	Screw	Rear-Side	Flexible wire AWG14	X1	C20F.0224
16	20	Medical Version (M5)	Screw	Rear-Side	Quick connect terminals 6.3 x 0.8 mm	X2	C20F.0122
16	20	Medical Version (M5)	Screw	Rear-Side	Quick connect terminals 6.3 x 0.8 mm	X1	C20F.0124
16	20	Medical Version (M5)	Screw	Rear-Side	Solder terminals	X2	C20F.0022

Rated Current IEC [A]	Rated Current UL [A]	Filter-Type	Panel mounting	Mounting side	Terminal	Capacitor	Order Number
16	20	Medical Version (M5)	Screw	Rear-Side	Solder terminals	X1	C20F.0024
16	20	Medical Version (M5)	Snap-in	Front-Side	Quick connect terminals 6.3 x 0.8 mm	X2	C20F.0112
16	20	Medical Version (M5)	Snap-in	Front-Side	Quick connect terminals 6.3 x 0.8 mm	X1	C20F.0114
16	20	Medical Version (M5)	Snap-in	Front-Side	Solder terminals	X2	C20F.0012
16	20	Medical Version (M5)	Snap-in	Front-Side	Solder terminals	X1	C20F.0014
16	20	Medical Version (M80)	Screw	Rear-Side	Quick connect terminals 6.3 x 0.8 mm	X2	C20F.0125
16	20	Medical Version (M80)	Screw	Rear-Side	Quick connect terminals 6.3 x 0.8 mm	X1	C20F.0126
16	20	Medical Version (M80)	Screw	Rear-Side	Solder terminals	X2	C20F.0025
16	20	Medical Version (M80)	Screw	Rear-Side	Solder terminals	X1	C20F.0026

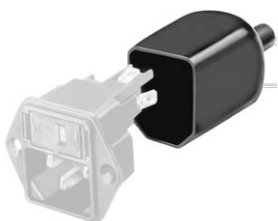
Wire length: 150 mm

".21" corresponds to the version with V-Lock mating cordset. The connector is equipped with a notch intended for use with the latching cordset. The cord latching system prevents against accidental removal of the cordset.

Packaging unit 20 Pcs

Accessories

Description



Assorted Covers
Rear Cover

0859.0047



Wire Harness
Wire harness for SCHURTER products



Cord retaining kits
Cord retaining strain relief

Countersunk, K

4700.0010

Flat head, L

4700.0011

Mating Outlets/Connectors

Category / Description

[ConnectorOverview complete](#)



IEC Connector C19, Rewireable, Straight

0104

IEC Connector C19, Rewireable, Angled

1651

IEC Connector C19, Rewireable, Straight

1652

IEC Connector C19, Rewireable, Angled

4790

IEC Connector C19, Rewireable, Straight

4795

[Connectorfurther types toC20F](#)



[Power Cord Overview complete](#)

[Power Cord with IEC Connector C19, Straight](#)

1654

[Power Cord further types to C20F](#)

[Power Supply or Interconnection Cord Overview complete](#)

[Divers Power Supply and Interconnection Cords 16 A](#)

Kabelverbindung/16 A

[Power Supply or Interconnection Cord further types to C20F](#)