

UHQ-64LED-6W-X-C90 series

Professional LED strip 24V, 2835, 64LED/m, 6W/m, Cri 90, SDCM ≤ 5 or ≤ 3



Applications:

- Main lighting
- Cove lighting
- Architectural lighting
- Decorative lighting
- Hotels
- Shopping mall
- Cabinet
- Show frame etc.

Features:

- Luminous efficiency up to 140lm/W
- Good color uniformity (Spectroscopic standard ERP, one BIN only)
- Silver-tin pads allow easy soldering and prevent from oxidatiton
- 3oz pure copper PCB
- Easy installation with 3M adhesive tape

MODEL ENCODING

UHQ	-	64LED	-	6W	-	X	-	C90	-	Y
Series	-	(LED/m)	-	Power (W/m)	-	Colour	-	CRI	-	SDCM
	-	X = W-6kK	White	6500K	-	C90	CRI ≥ 90	-	Blank	SDCM ≤ 5
	-	X = NW-5kK	Neutral White	5000K	-	Y = S3	SDCM ≤ 3			
	-	X = NW-4kK	Neutral White	4000K						
	-	X = WW-3kK	Warm White	3000K						
	-	X = WW-2k7	Warm White	2700K						
	-	X = WW-2k4	Warm White	2400K						
	-	X = WW-2k2	Warm White	2200K						
	-	X = WW-1k8	Warm White	1800K						

ELECTRICAL SPECIFICATION

MODEL	UHQ-64LED-6W- W-6kK-C90-Y	UHQ-64LED-6W- NW-5kK-C90-Y	UHQ-64LED-6W- NW-4kK-C90-Y	UHQ-64LED-6W- WW-3kK-C90-Y	UHQ-64LED-6W- WW-2k7-C90-Y	UHQ-64LED-6W- WW-2k4-C90-Y	UHQ-64LED-6W- WW-2k2-C90-Y	UHQ-64LED-6W- WW-1k8-C90-Y
Chip	2835							
Supply Voltage	24V							
Current and Power per 1m	250mA; 6W							
Current and Power per reel (5mb)	1.1A; 26.5W							
CCT (Correlated Color Temperature) - range	6500K	5000K	4000K	3000K	2700K	2400K	2200K	1800K
Beam Angle	≥ 115°							
Luminous efficacy (lm/W)	140	144	144	132	130	127	118	91
Luminous flux (lm/m)	837	864	864	792	778	760	710	545
CRI, SDCM	CRI ≥ 90; Y = Blank -> SDCM ≤ 5; Y = S3 -> SDCM ≤ 3							
Maximum cascading length	5m							
Cut Section	125mm co 8 diod							
Dimensions (L * W * H) and Weight	5000 * 10 * 1.4mm; 15g							

ENVIRONMENT

IP protection degree	IP20
Operating temperature	-25°C ÷ +60°C
Storage temperature	-25°C ÷ +70°C

UHQ-64LED-6W-X-C90 series

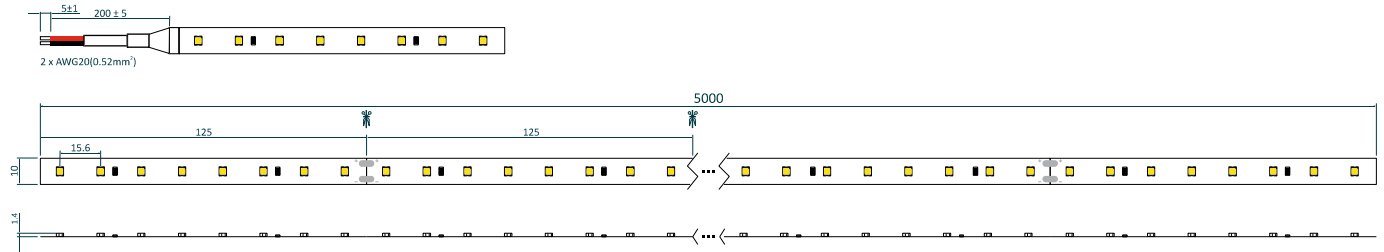
Professional LED strip 24V, 2835, 64LED/m, 6W/m, Cri 90, SDCM ≤ 5 or ≤ 3



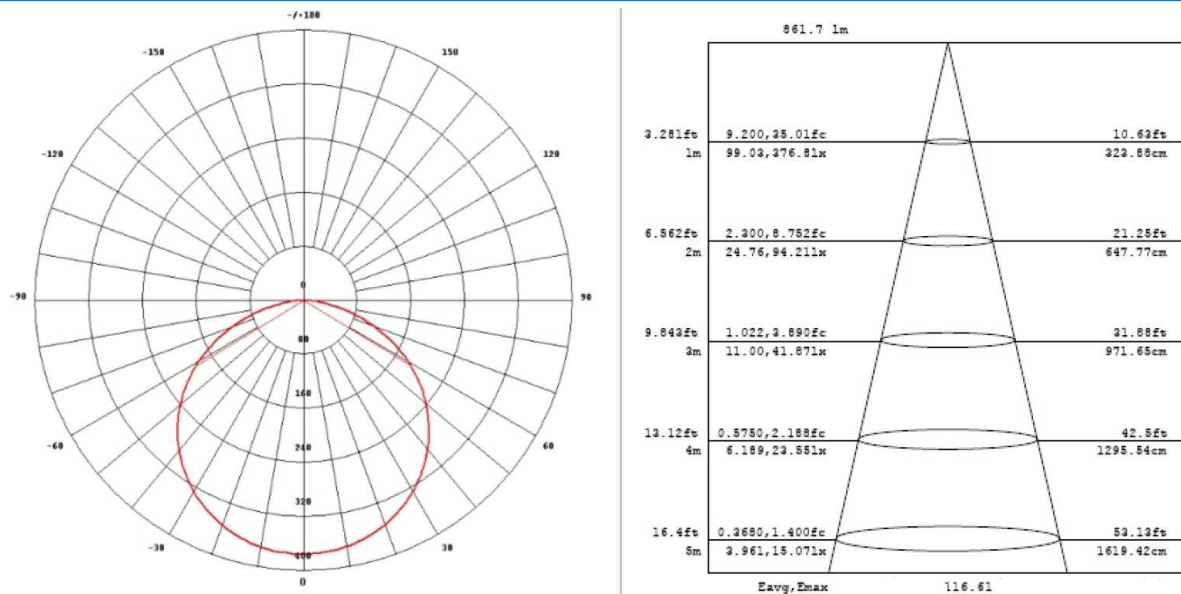
◎ PACKAGING INFORMATION

Quantity (m/bag)	5
Quantity (bag/box)	75
Total quantity (box/carton)	150
Total weight (kg)	3.8
Carton dimensions (mm)	398 x 256 x 238

◎ MECHANICAL SPECIFICATION



◎ LIGHT DISTRIBUTION/ISO-ILLUMINANCE DIAGRAM



◎ SUPPLY

