

◆ Features:

- Built-in lens 160°
- Chain of 50 pcs.
- IP 67 sealed, injection molded
- Internal current stabilization (CC)
- Built-in heat sink plate
- 5 years warranty

◆ Usage:

- Letters of light
- Advertising boxes with a depth of 3-10 cm
- POS systems
- Backlighting of furniture

◆ Photos:

CE





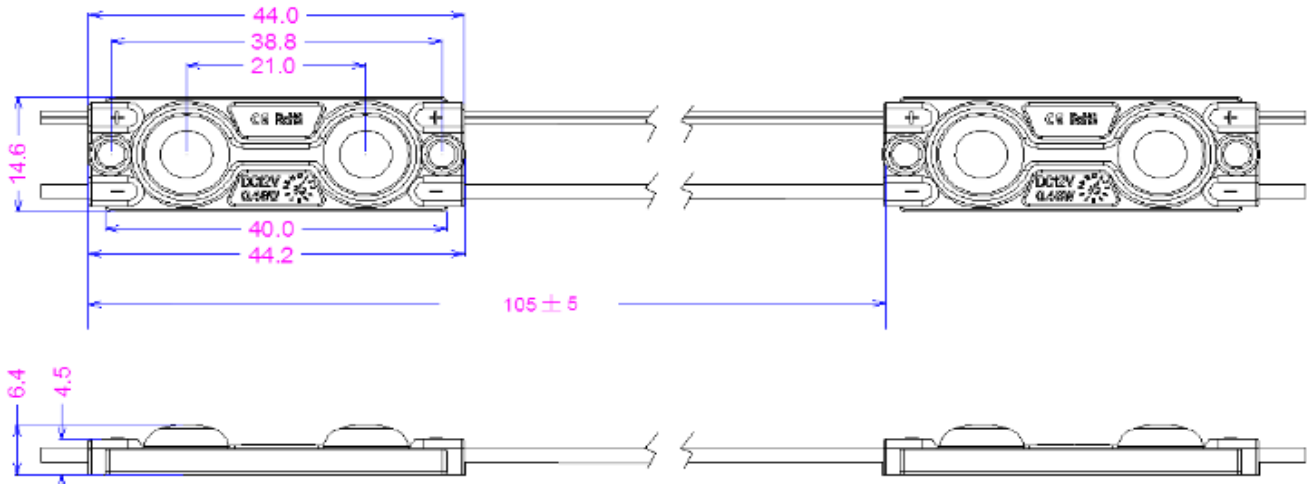
MW-MLD-2835-2W-LENS

Power	Rated voltage	12Vdc +/- 5%
	Power consumption	0.48W
	Current consumption of one module	0.04A
	Power consumption of chain	24W
LEDs	Dimensions of LEDs	2835
	Number of diodes in module	2
	Color of Light	W-white (6000-8000K) CW-cold white (10000-14000K) NW-neutral white (4000-5000K) R-red (620-630nm) G-green (520-530nm) B-blue (460-470nm) Y-yellow (588-594nm)
	Flux	44lm
	Luminous efficacy	88lm/W
	Beam angle	160°
	Lifetime	50K hours
Connection	Soldering	Yes
	Screw and spring clamps	Yes
Wires	Wire length	60,8 mm
	Wires designation	White & red (+) White (-)
Properties	Protection	IP 67
	Working temperature	-40°C ... 100°C
Dimensions	Height, width, length	6,4 x 14,6 x 44,2 mm
Montage	Bonding	Yes
	Screwing	Yes
	Hole size	M3
Others	Housing material	ABS
	Number of modules per 1 m	9,5 pcs.
Packing	Chain	50 pcs. (5,3m)
	Bag	200 pcs.
	Box	2000 pcs.



MW-MLD-2835-2W-LENS

◆ DIMENSIONS:



Dimensions: mm

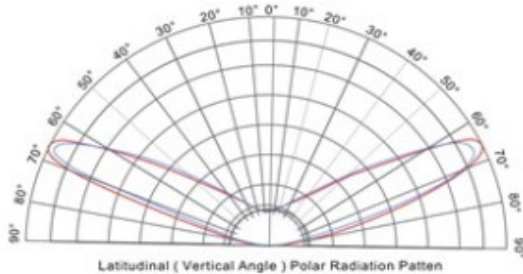
◆ TABLE OF SELECTION OF MODULES TO DEPTH OF CASSETTE

Depth	Light intensity	Distance between the centres of the modules	Distance between rows	Pieces/m ²	Power/m ²
30 mm	12000-13000 lx	50 mm	45 mm	380 pcs.	182W/m ²
40 mm	8800-9100 lx	60 mm	60 mm	256 pcs.	123W/m ²
50 mm	6000-6300 lx	70 mm	70 mm	196 pcs.	94W/m ²
60 mm	4600-4800 lx	80 mm	80 mm	144 pcs.	69W/m ²
70 mm	3400-3600 lx	90 mm	90 mm	110 pcs.	53W/m ²
80 mm	2700-2900 lx	110 mm	110 mm	90 pcs.	43W/m ²
90 mm	2400-2600 lx	110 mm	110 mm	90 pcs.	43W/m ²
100 mm	2100-2400 lx	110 mm	110 mm	90 pcs.	43W/m ²

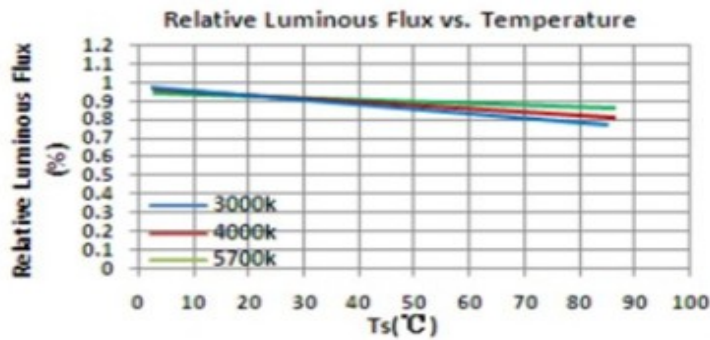


MW-MLD-2835-2W-LENS

◆ LIGHT DISTRIBUTION ANGLE



◆ CHANGE OF LUMINOUS FLUX IN RELATION TO TEMPERATURE



◆ TABLE OF SELECTION OF MODULES FOR GPV POWER SUPPLIES

Power supply	GPV-12-12	GPV-18-12	GPV-20-12	GPV-35-12	GPV-60-12	GPV-75-12	GPV-100-12	GPV-150-12	GPV-200-12
Number of modules	16	33	33	50	83	100	133	225	266