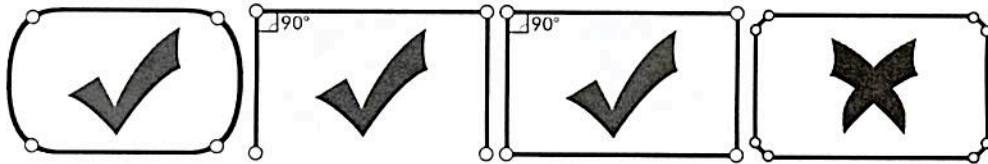
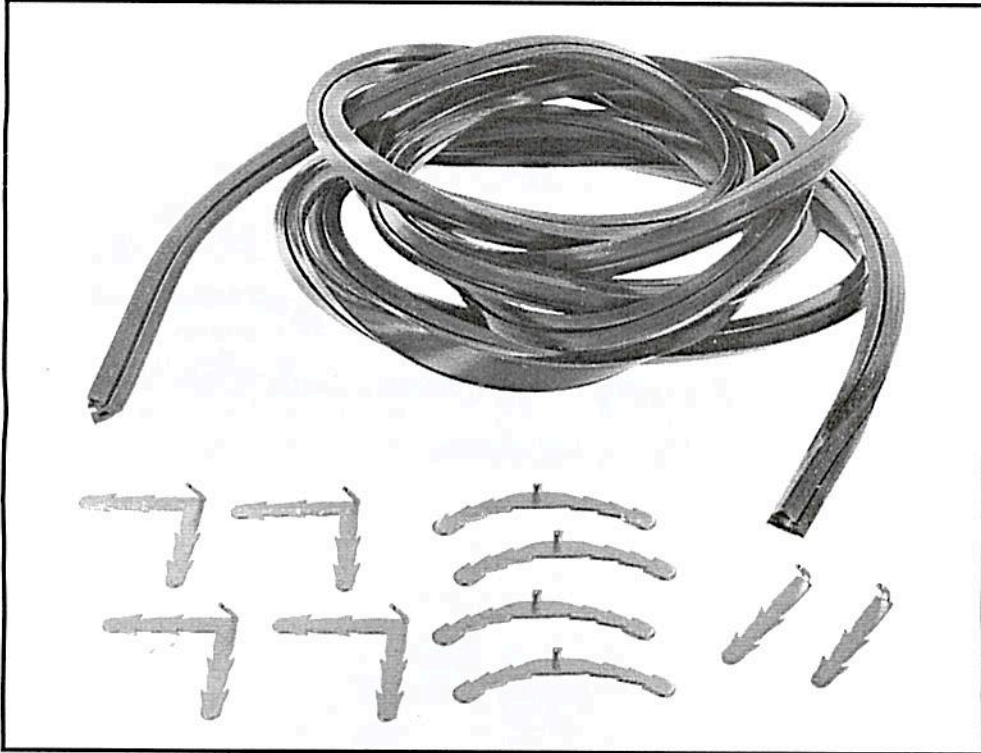


UNIVERSAL OVEN DOOR SEAL KIT

contains

- 1 x 2920mm gasket silicone seal length
- 4 x 90° barbed fixing hooks
- 4 x curved barbed fixing hooks
- 2 x 180° barbed fixing hooks



Suitable for fitting

Suitable for fitting

Suitable for fitting

Not Suitable for fitting

This replacement gasket seal is designed to be fitted to doors or appliance chassis in place of the original part.

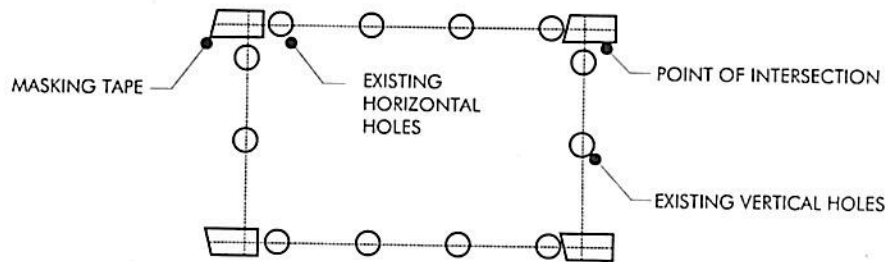
This gasket seal can only replace the original seal if it has 3 or 4 sides, each joined at a 90° corner or has curved corners.



REMOVING THE OLD SEAL

You need to read and follow these instructions if the silicone rubber in your old gasket was crimped into a stainless steel retainer and fixed to the appliance by a number of small spring clips or pop rivets. If this is not applicable please move onto the section of this booklet entitled 'FITTING THE NEW SEAL'.

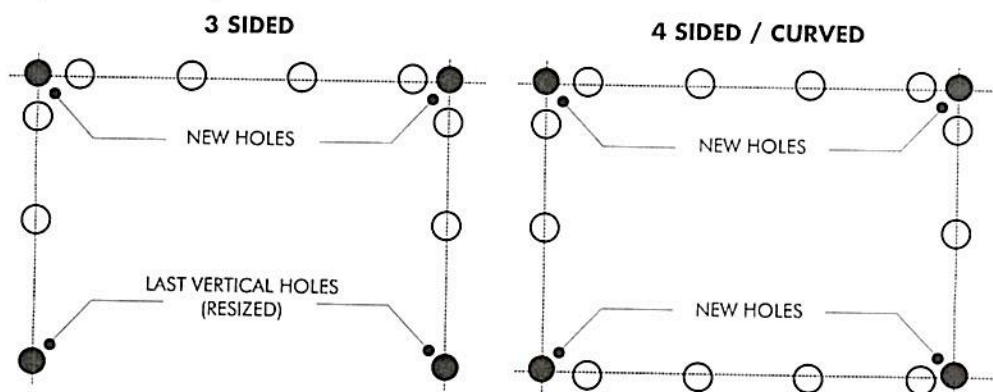
1. Remove the old gasket by disengaging the small spring clips or drilling out the pop rivets
2. Stick masking tape over the point of intersection of the existing vertical and horizontal holes



3. Mark the point of intersection of these holes on the masking tape.
4. Use a centre punch or similar tool to define the actual hole positions as marked on the masking tape

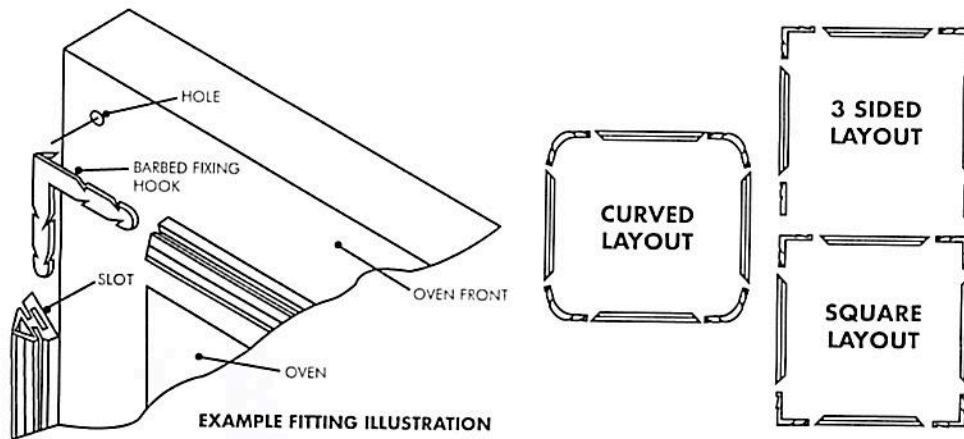
CAUTION: tap the centre punch lightly to prevent unnecessary damage to the appliance's enamel.

5. Drill 2mm pilot holes, before drilling to a final size of 4mm.



6. Remove masking tape. You are now ready to move on to the section of this booklet entitled 'fitting the new seal'.

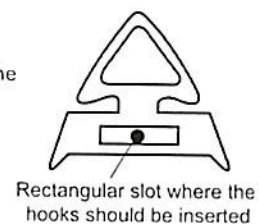
FITTING THE NEW SEAL



1. Carefully measure the distance between the appliance's fixing hole centres in millimetres (mm).
2. The length of the seal you require for fitting along the top, bottom and sides must be cut in accordance with the following table to allow for stretching:

Distance between holes (mm)	Sides to be shortened by (mm)
250 - 350	20
351 - 400	25
401 - 450	30
451 - 500	35
501 - 550	40
551 - 600	45
601 - 650	50
651 - 700	55

3. The top and bottom corners of the seal you are fitting must be trimmed to an angle so that they will fit together snugly once the barbed hooks are added.
4. Insert the barbed fixing hooks into the rectangular slot of the seal. The hooks should be inserted so that the fat side of the seal sits on the same side as the hook.
5. Stretch and clip the seal into place by inserting the hooks in the 4 relevant holes on your appliance.



Your new Oven Door Seal should now be fitted successfully!