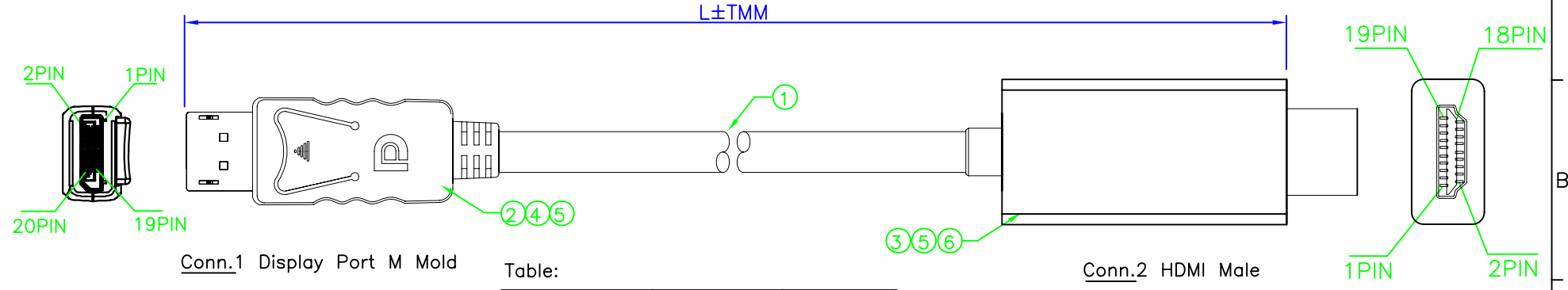


Customer P/N: XXXXXX RXX



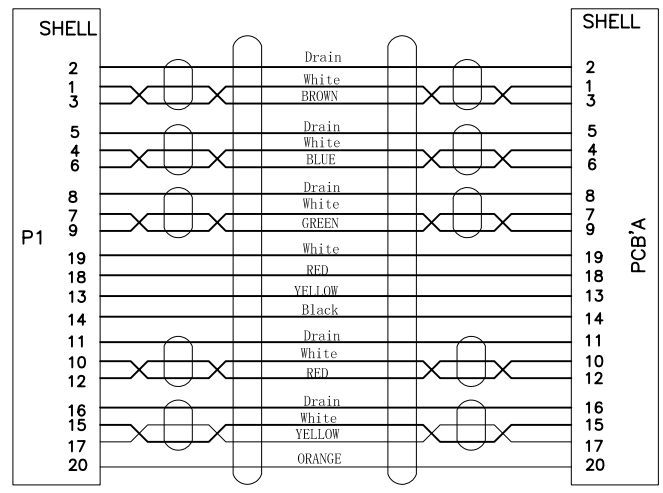
Conn.1 Display Port M Mold

Conn.2 HDMI Male

Table:

P/N	Length	Resistance
G350360	1000±30mm	2 ohm
G350364	2000±30mm	2 ohm

PIN Assignment



- 1.1 Features
- Support DisplayPort 1.1a input and HDMI output.
- Support HDMI highest video resolution 1080p.
- Support HDMI 225MHz/2.25Gbps per channel (6.75Gbps all channel) bandwidth.
- Support HDMI 12bit per channel (36bit all channel) deep color.
- Supports uncompressed audio such as LPCM.
- Powered from DisplayPort source

⑥	Plasitc Hood for HDMI Male, Material: ABS, Color:Black	1	Set
⑤	Outside Molding 45P PVC PMS:Black	12	g
④	Intside Molding: PE	4	g
③	DisplayPort to HDMI PCB+SMT (LT8621EXB)	1	pcs
②	DisplayPort Male Pin Gold,Insulation Black,Shell Nickel Plated	1	Set
①	DisplayPort Cable UL20276 [32AWG(7/0.08TC)*1P+D+AL+Mylar)*5+32AWG(7/0.08TC)*5C+AL/MY+D.W+BD+Jacket Color PMS:Black OD:5.0±0.2mm	L	m
NO.	DESCRIPTION	Q'TY	UNIT

REV.	DATE	CONTENTS OF CHANGE	DESIGNER	TOL ±	Plc	Met	Ins	Por	Cab	Pac	Gas	DIS	APPROVAL	CHECK	DRAWING	DESIGN	DRAWING NAME	Display Port to HDMI Male Cable		
△				RANGE													DATE	PART NO.	MF	R00
				0~6	0.1	0.1	0.1	0.2	0.5	1	0.5	0.2					2014-07-20			
				6~30	0.1	0.1	.15	.25	1	1	0.5	.25								
				30~80	0.1	.15	0.2	0.3	2	1.5	1	0.3								
				80~180	.15	.15	.25	0.3	2	2	1	.45								
				180~315	.15	0.2	0.3	0.4	2.5	2	1	0.6								
				315~800	0.2	0.3	0.4	0.5	3	3	2	1.1								
													SCALE	1:1	UNIT	MM				