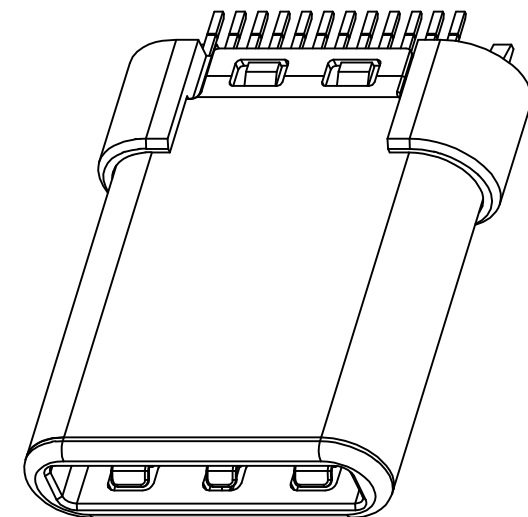
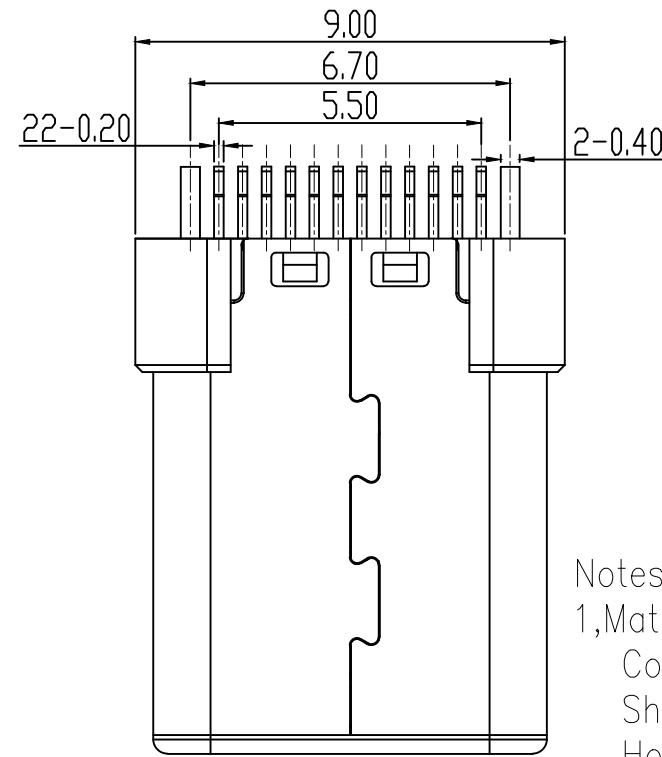
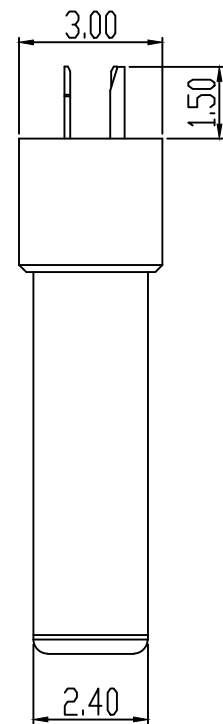
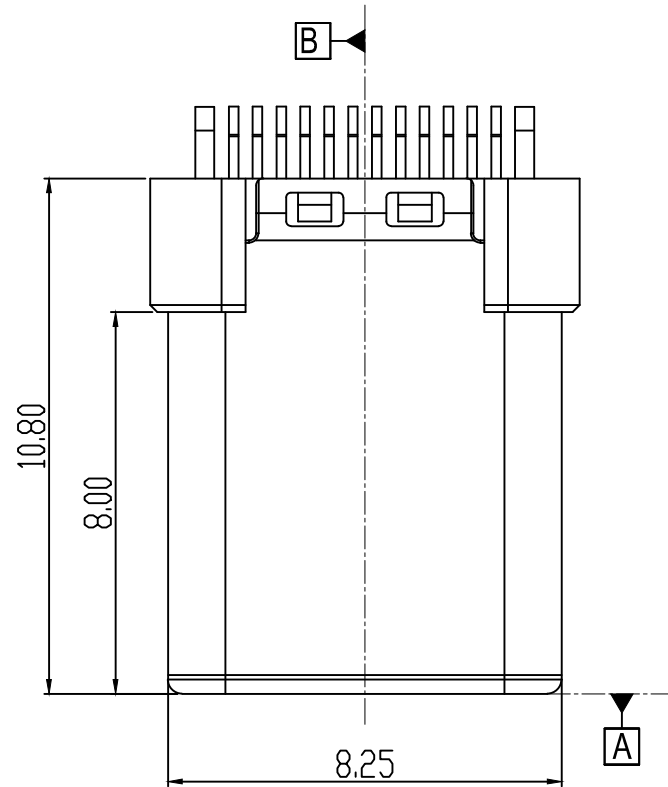


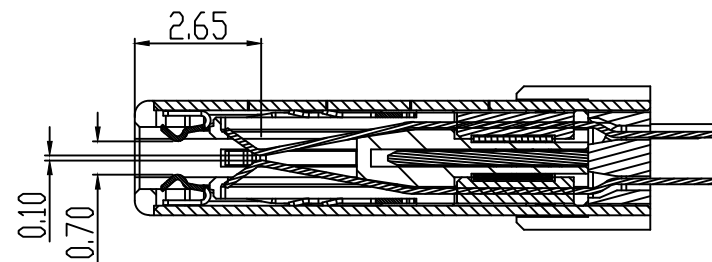
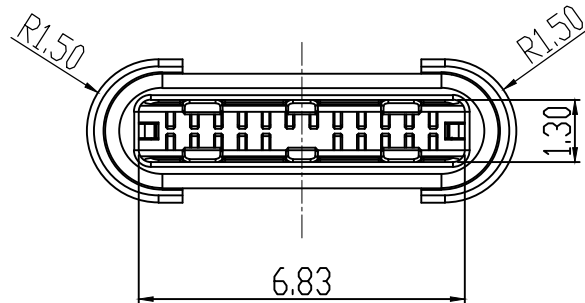
This document is the property of Amphenol Corporation and is delivered on the express condition that it is not to be disclosed, reproduced or used, in whole or in part, for manufacture or sale by anyone other than Amphenol Corporation without its prior consent, & that no right is granted to disclose or to use any information in this document.

REVISIONS				
SYM	ECN	DESCRIPTION	DATE	APPROVED
A	1411****	NEW RELEASE	12/17/14	Tom

REFERENCE DRAWING



- Notes:
- Material :
 - Contacts : copper alloy
 - Shell : stainless steel
 - Housing : LCP polymer UL94V-0, black.
 - Plating :
 - Contacts : contact area 30u" Au, solder tail 100u" Matte Tin. all area 50u" Nickel plating.
 - Shell : Nickel Plating
 - Coplanarity : 0.08Max.
 - P/N : C12401562E4#2A.
 - Packaging type: carrier tape.
 - Material should be fulfilled Amphenol spec# SSN002 AND Customer Requirements, for halogen free products, also need to meet SSN004



UNLESS OTHERWISE SPECIFIED TOLERANCES U.S. METRIC .X +/- / ±0.30 .XX +/- / ±0.25 .XXX +/- / ±0.20 FRACTIONS +/- / ANGLES +/- /	APPROVAL		DATE	<h2>Amphenol</h2>	
	DRAWN Sean.Zhang		12/17/14		
	CHECKED Wilson.Lu		12/17/14		
	CHECKED				
DRAWING FILE :			TITLE	USB TYPE C PLUG	
REMOVE SHARP EDGES			ANGLE OF PROJECTION		
DIMENSIONS			SIZE	DRAWING NO.	REV.
U.S. INCHES			A3	12401562E4#2A	A
(METRIC) (MM)			SCALE	NONE	SHEET 1 OF 1