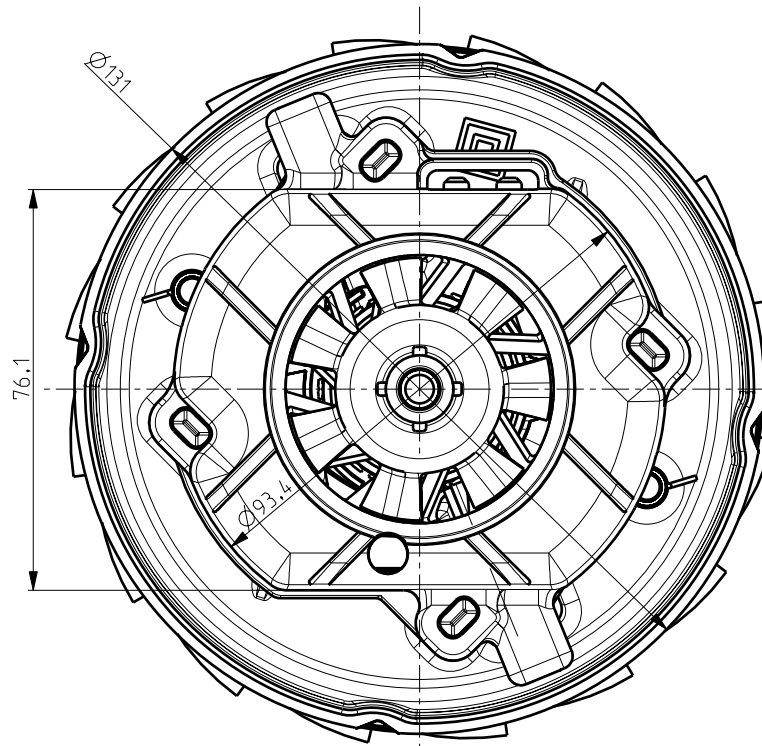
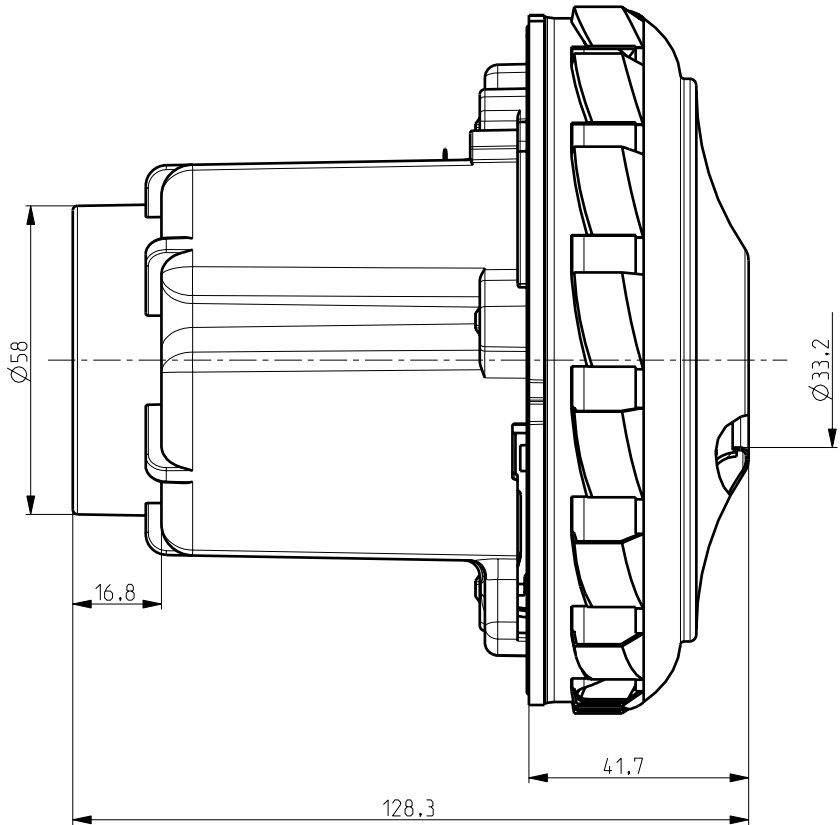


Izdelano s CAD/ProEngineer - ročno spreminjanje ni dovoljeno! Vsak prenos tretjim osebam ali uporaba v nedogovorjene namene ni dovoljena po zakonu o avtorskih pravicah.
 Made with CAD/ProEngineer - changing is not allowed! Any unauthorized copying of this drawing or unauthorized distribution of the information contained herein is prohibited.

NAPETOST	230 V
VOLTAGE	
FREKVENCA	50 Hz
FREQUENCY	
NAZIVNA MOČ	1350 W
NOMINAL POWER	

DVOJNA IZOLACIJA
DOUBLE INSULATED



Oznake natisnjene na SE:
Information stamped on VCM:

DOMEL 467.3.403-3
 230 V 50 Hz
 I.C.L.H
 YYWWD S NNNN
 MADE IN SLOVENIA



OSNOVNE ZNAČILNOSTI		TYPICAL CHARACTERISTICS	
IZVEDBA	ENOSTOPENJSKA	FAN SYSTEM	SINGLE STAGE
VLEŽAJENJE	DVA KROGLIČNA LEŽAJA	BEARINGS	DUAL BALL
VRSTA PRETOKA	MIMO MOTORJA	DISCHARGE	BY PASS
SMER VRTENJA	DESNA	DIRECTION OF ROTATION	CW

Tolerance odprtih mer Tolerances without individual indications		Površinska hrapavost Surface Finishing		Merilo Scale	1:2	Original format ISO 5457 - A3
ISO 2768 - m				Gradivo / Material		
Izdelal Designed	Datum/Date 26.11.09	Ime/Name Novinc M.	Naziv Title SESALNA ENOTA VACUUM CLEANER MOTOR			
Pregl. Verified	27.11.09	Rihtaršic J.				
AO 9223		Datum/Date 27.11.09	Ime/Name Novinc M.	Koda Code 467.3.403-3		List Sheet 3+
Ozn. Mark		St. obvestila No. of notice		Otoki 21. 4226 Zelezniki, Slovenija		Stran Page 1
						4673403003_SESALNA_ENOTA

DOMEL