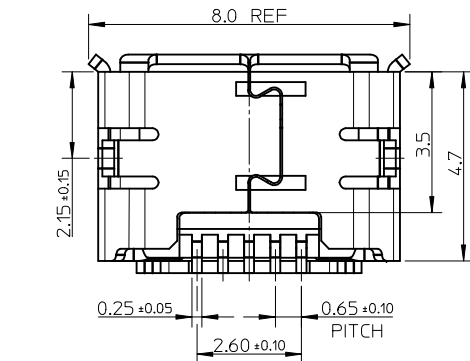


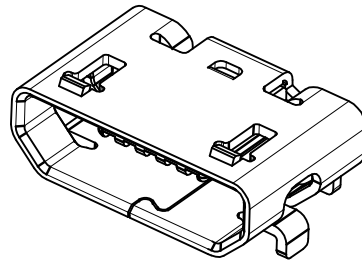
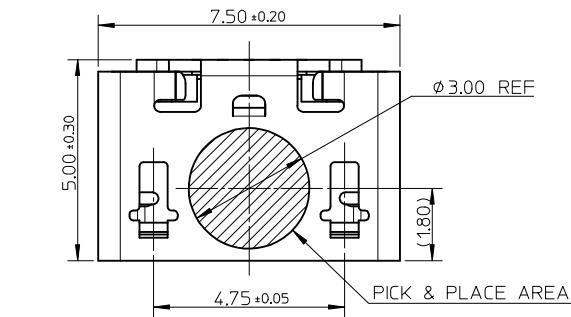
RECOMMENDED P.C.B. PATTERN LAYOUT
GENERAL TOLERANCE: ± 0.05



NOTES:

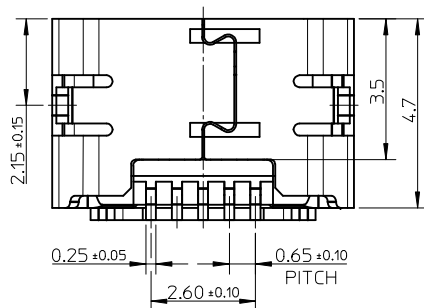
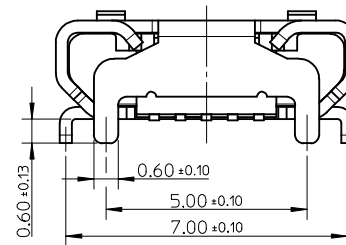
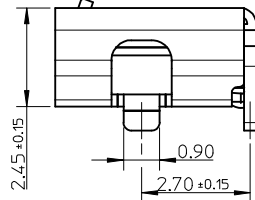
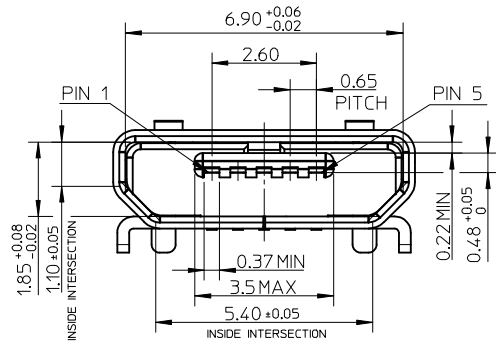
- MATERIAL:
HOUSING: LCP, BLACK, UL94V-0;
TERMINAL: COPPER ALLOY, THICKNESS: 0.15mm;
SHELL: STAINLESS STEEL, THICKNESS: 0.30mm.
- PLATING:
TERMINAL: CONTACT AREA: GOLD FLASH OVER MINIMUM 0.75MICRON Pd/Ni.
SOLDER TAIL AREA: GOLD FLASH.
UNDER PLATING: NICKEL 2.0 MICRON MINIMUM.
SHELL: MATTE TIN 2.0 MICRON
UNDER PLATING: NICKEL 1.27 MICRON MINIMUM.
- TAIL & NAIL COPLANARITY 0.08mm MAXIMUM.
- PRODUCT SPECIFICATION: PS-105017-001.
- PACKAGING SPECIFICATION: PK-105017-001.
- COMPLIANT TO RoHS DIRECTIVE 2002/95/EC AND ELV DIRECTIVE 2000/53/EC.

REVISED EC NO: SH2013-0168 DRAWN: XQZHANG 2012/12/04 CHKD: XQZHANG 2012/12/04 APPR: AYIN 2012/12/10	QUALITY SYMBOLS F ₅ =0 F ₆ =0 F ₇ =0	GENERAL TOLERANCES (UNLESS SPECIFIED)		DIMENSION STYLE MM ONLY		SCALE 1:1	DESIGN UNITS METRIC	THIRD ANGLE PROJECTION		
			mm	INCH	DRAWN BY XJSONG	DATE 2008/01/23	TITLE MICRO USB BOTTOM MOUNT RECEPTACLE, B TYPE			
		4 PLACES	± ---	± ---	CHECKED BY JTIAN	DATE 2008/01/23				
		3 PLACES	± ---	± ---	APPROVED BY HWWANG	DATE 2008/01/23				
	ANGULAR ± 3 °		MATERIAL NO. 105017-0001	DOCUMENT NO. SD-105017-001		SHEET NO. 1 OF 2				
	DRAFT WHERE APPLICABLE MUST REMAIN WITHIN DIMENSIONS		SIZE A3	THIS DRAWING CONTAINS INFORMATION THAT IS PROPRIETARY TO MOLEX INCORPORATED AND SHOULD NOT BE USED WITHOUT WRITTEN PERMISSION						



NOTES:

1. MATERIAL:
 HOUSING: LCP, BLACK, UL94V-0;
 TERMINAL: COPPER ALLOY, THICKNESS: 0.15mm;
 SHELL: STAINLESS STEEL, THICKNESS: 0.30mm.
2. PLATING:
 TERMINAL: CONTACT AREA: GOLD FLASH OVER MINIMUM 0.75MICRON Pd/Ni.
 SOLDER TAIL AREA: GOLD FLASH.
 UNDER PLATING: NICKEL 2.0 MICRON MINIMUM.
 SHELL: MATTE TIN 3.8 MICRON
 UNDER PLATING: NICKEL 1.27 MICRON MINIMUM.
3. TAIL & NAIL COPLANARITY 0.08mm MAXIMUM.
4. PRODUCT SPECIFICATION: PS-105017-001.
5. PACKAGING SPECIFICATION: PK-105017-001.
6. COMPLIANT TO RoHS DIRECTIVE 2002/95/EC AND ELV DIRECTIVE 2000/53/EC.



SEE SHEET 1	EC NO: SH2013-0168	DRWN: XQZHANG 2012/12/04	CHKD: XQZHANG 2012/12/04	APPR: AYIN 2012/12/10	REV	DESCRIPTION	QUALITY SYMBOLS	GENERAL TOLERANCES (UNLESS SPECIFIED)		DIMENSION STYLE		SCALE	DESIGN UNITS	THIRD ANGLE PROJECTION
							$\nabla_{\sqrt{3}} = 0$ $\nabla_{\sqrt{2}} = 0$ $\nabla_{\sqrt{1}} = 0$	mm	INCH	MM ONLY	1:1	METRIC		
							4 PLACES ± --- ± ---	DRAWN BY	DATE	TITLE	MICRO USB BOTTOM MOUNT RECEPTACLE, B TYPE FLANGELESS TYPE molex			
							3 PLACES ± --- ± ---	XJSONG	2008/01/23					
2 PLACES ± 0.25 ± ---	CHECKED BY	DATE		MATERIAL NO.	DOCUMENT NO.	SHEET NO.								
1 PLACE ± 0.25 ± ---	JTIAN	2008/01/23		105017-1001	SD-105017-001	2 OF 2								
0 PLACE ± --- ± ---	APPROVED BY	DATE		THIS DRAWING CONTAINS INFORMATION THAT IS PROPRIETARY TO MOLEX INCORPORATED AND SHOULD NOT BE USED WITHOUT WRITTEN PERMISSION										
	HWANG	2008/01/23												
	ANGULAR ± 3 °													
DRAFT WHERE APPLICABLE MUST REMAIN WITHIN DIMENSIONS														