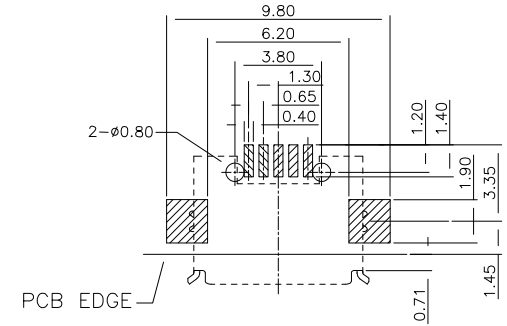
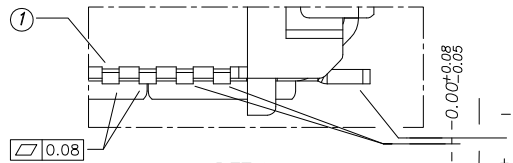
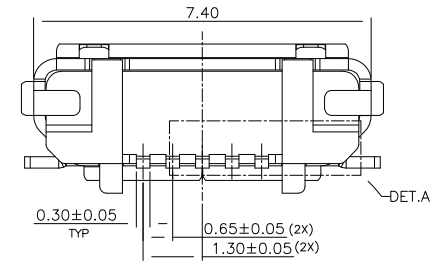
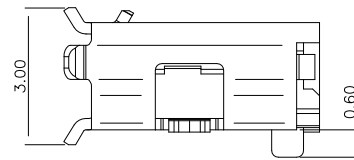
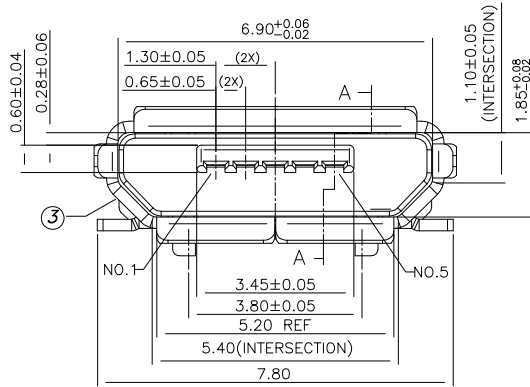


SEC. A-A



PCB LAYOUT(SCALE 4:1)  
TOLERANCE:±0.05



DET.A  
SCALE 10:1

△ PRODUCT NUMBER:

207A-B B A 0-R  
1 2 3 4

- 1.Type  
B:B Type
- 2.Contact Plating  
B:30u" Gold Plating
- 3.Peg  
A:With Peg
- 4.RoHS

3	SHELL	STAINLESS STEEL, T=0.25	40u" Min. NICKEL OVER PLATED	
2	HOUSING	HIGH TEMPERATURE THERMAL PLASTIC	COLOR:BLACK	
1	CONTACT	COPPER ALLOY,T=0.20	CONTACT AREA: Au 30u" Min, SOLDER AREA: Au 3u" Min.	
ITEM	DESC.	MATERIAL	REMARKS	PART REMARKS

△3	Revise:			
△2	Revise:			
△1	Revise: Product Number: Contact Area(Gold 30u ") and Peg Area		2009/08/11	
REV.	DESCRIPTION	DATE	REV.	DESCRIPTION
1			4	

UNLESS OTHERWISE SPECIFIED TOLERANCE		
ANGLES	ANG.	±5°
LINEAR	0.	±0.3
	0.0	±0.25
	0.00	±0.20
SCALE	AS SHOWN	UNIT: mm
DRAWN	Willis	2012/08/03
CHECKED	Angel	2012/08/03
APPROVED	Ken	2012/08/03
SIZE	A4	REV. 1.0



www.attend.com.tw	
DRAWN NAME: Micro USB B Receptacle SMD Type	
PRODUCT NO.	207A-BBA0-R
FILE NAME	207A-BBA0-R_B_2