

titan

TV WALL BRACKET



48-102cm
19- 40"



WTS 1
EDP No 35550



Universal TV wall bracket made of aluminum; for safe and low profile installation of TV displays up to 40"/102cm; max 50kg

- 2 fixing points only at the TV display
- Fully variable VESA pattern from 50 to 200mm
- Easy hook-in of the TV screen
- Horizontal shift
- Integrated bubble level

- For screen sizes 48-102cm /19-40"
- VESA max. 200x200 (variable)
- Max. 50 kg weight load
- Wall distance 28 mm
- Weight of the bracket 574g
- Color: titan
- Incl. wall fixing kit (with Fischer® anchors)
- Made in Europe

Designed for Flat Panel TV screens with

- uneven mounting surface
- Curved OLED display
- sockets closely situated to the fixing points



SPIRIT LEVEL



LOW PROFILE



EASY TO FIT



SCREEN SIZE



MAX VESA
variable



MAX LOAD

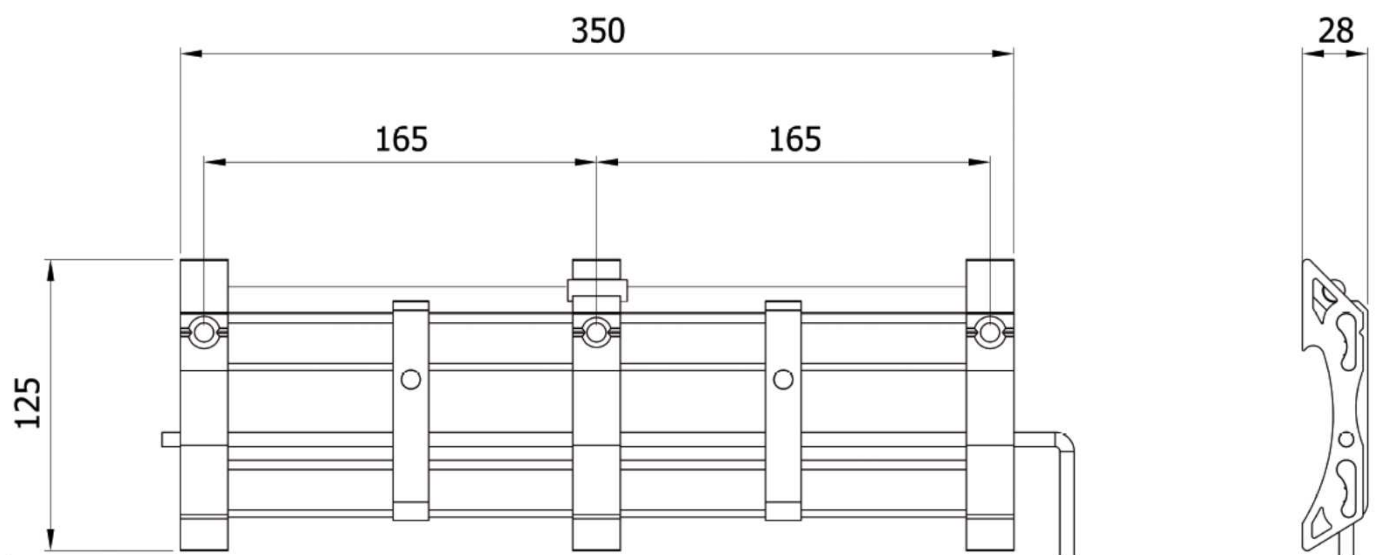
10
YEAR
GUARANTEE

www.vivanco.com



TV WALL BRACKET

Technical drawing for wall bracket WTS 1 (Art No 35550)



Subject to technical changes

