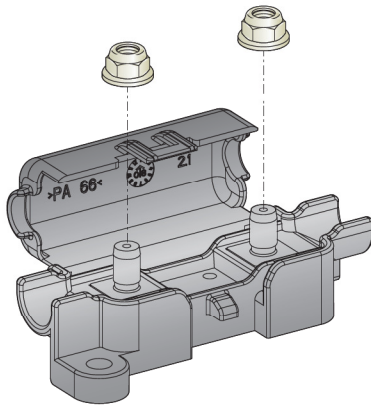
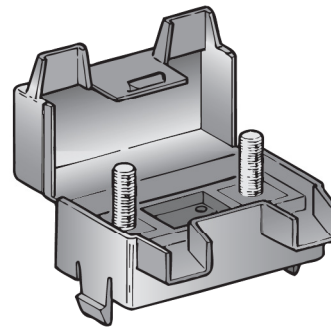


# MIDIVAL® HOLDER

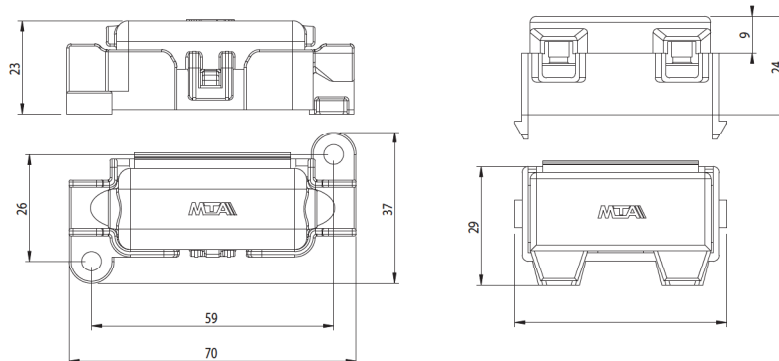


1



2

IMG	DESCRIPTION	WAY	MATERIAL	COLOUR	P/N BOX	M.O.Q.	P/N BULK	M.O.Q.
1	MIDIVAL HOLDER BOLT TYPE	1	PA66	■Black	0100360	75	0300360	200
2	MIDIVAL HOLDER CLIP TYPE	1	PA66	■Black	0100370	5	0300370	200



## CONNECTIONS AND FIXINGS



MIDI