

## Product Specification

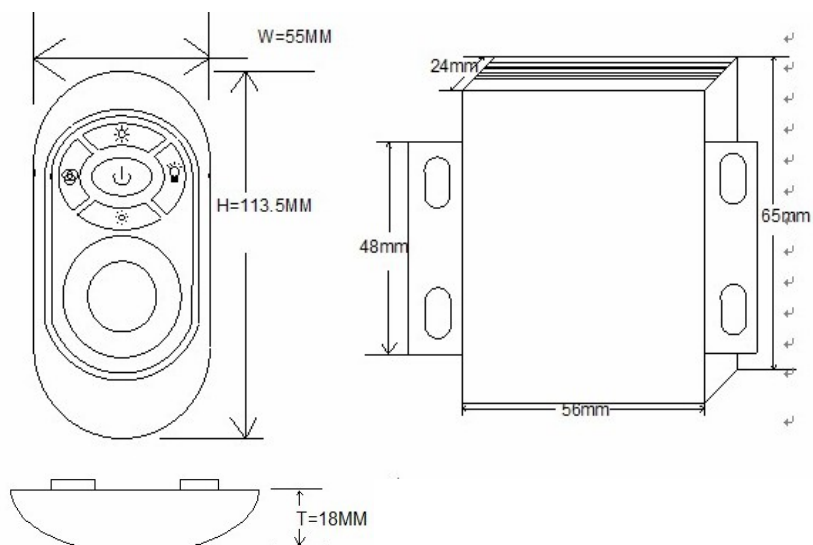
**\*Product Name: Rainbow Touch RGB Controller(12VDC/24VDC)**



### \*Summarization

Rainbow Touch RGB Controller adopts the advanced micro control unit, it is used for controlling a variety of lamp whose source of light is LED. For instance, point source of light, flexible light strip, wall washer lamp, glass curtain wall light and so on; At the same time, it has many advantages such as convenient connection, simplicity to use and others. According to the actual need of customers, it can carry out jumpy changing, gradual changing, stroboflash and other effects of change.

### \*Dimension Drawing



# Product Specification

## \*Technical Parameters

### Technical Parameters(Remote) :

- Power supply: AAA battery \* 3pcs
- Cover Material:ABS
- Fabrication processing: multicolour printing & UV varnish
- Dimmension of Remote:L113.5 X W55 X H18 mm

### Technical Parameters(Controller):

- Working temperature: -20-60 °C
- Supply voltage: 12V, 24V <optional> (for orders specify voltage)
- Output: 3 channels
- Connecting mode: common anode
- Transmission/Receiving frequency: 433.92Mhz
- External dimension of controller: L65 X W56 X H24 mm
- Packing size:L120 X W70 X H50 mm
- Static power consumption: <
- Output current: <6A (each channel)
- Output power: 12V: <216W, 24V: <432W

## \* Interface specifications:

Power input interface ( the first way ):



Adopt conventional DC power Transposon as power input interface, and equip with plug-DC

Power input interface ( the second way ):



**Power**

Adopt male and female connector with screw.

Load output interface:



**Load**

Adopt male and female connector with screw.



**Touching Ring**

# Product Sepcification

## \* Direction for use

1. Connect the load wire at first, following by the power wire; Please ensure short circuit can not occur between connecting wire before you turn on the power;

2. Adopt RF control, there are five buttons altogether, and every key-press function is as follows:

**Key 1:** on/off

**Key 2:** light changing mode(15 modes)

**Key 3:** color light/white light switching mode

**Key 4:** turn up(brightness/speed)

**Key 5:** turn down(brightness/speed)

3. How to use

1). Press Key 1 to turn on/off in any state.

2). Press Key 2 to activate light changing mode, a new mode each press, 15 modes in total.

3). Press Key 3 once to activate white light mode, changing brightness by pressing Key 4/Key 5. Press Key 3 twice to activate color light mode, changing brightness by pressing Key 4/Key 5 or changing light color by touching the color ring.

4). Resume fuction. The previous settings will be resumed while power on again.

5). Matching code

Press Key 4 once within 3 seconds when power on again, the light will blink 3 times if matching is successful.

Clearing Code

Press Key 4 five times within 3 seconds when power on again, the light will blink 6 times if clearing is successful.



3. Standard color changes as follows:

1↕	Auto color changing↕	8 grades of brightness to adjust by pressing Key 4 or Key 5.↕	↕	↕	↕
2↕	three colors jumps to change↕	8 grades of speed to adjust by pressing Key 4 or Key 5.↕	9↕	Green color jumps to change↕	8 grades of brightness to adjust by pressing Key 4 or Key 5.↕
3↕	seven colors jumps to change↕		10↕	Yellow color jumps to change↕	
4↕	three colors jumps to gradual change↕		11↕	Cyan color jumps to change↕	
5↕	seven colors jumps to gradual change↕		12↕	white color jumps to change↕	
6↕	red color jumps to change↕		13↕	Red/blue light twinkles alternately↕	
7↕	Blue color jumps to change↕	14↕	Green/blue light twinkles alternately↕		
8↕	Purple color jumps to change↕	15↕	Red/green light twinkles alternately↕		

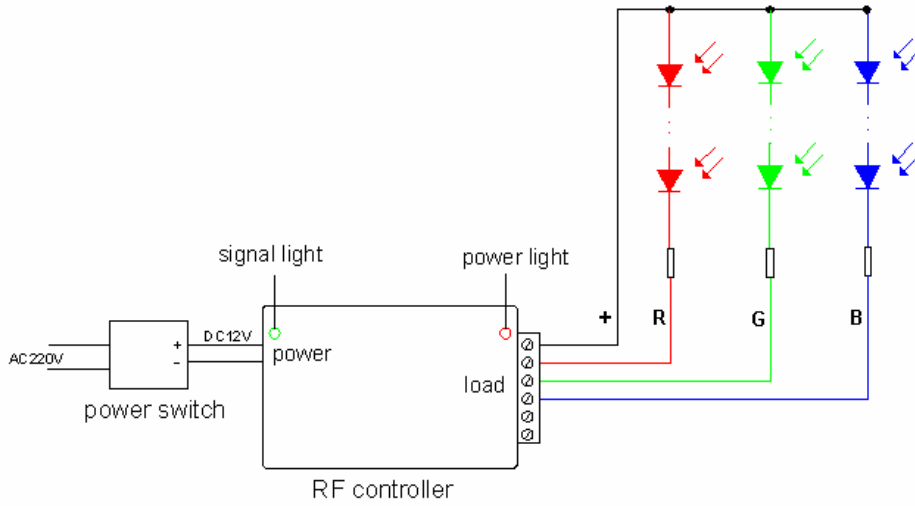
## \* Caution:

Please don't touch or press the color ring while loading the batteries to protect the sensitiveness. Please use the remote controller 3 seconds after the batteries are loaded. Please reload the batteries when you find the color ring is not sensitive.

# Product Specification

## \* Direction for use

### The first circuit diagram:



### The second circuit diagram:

