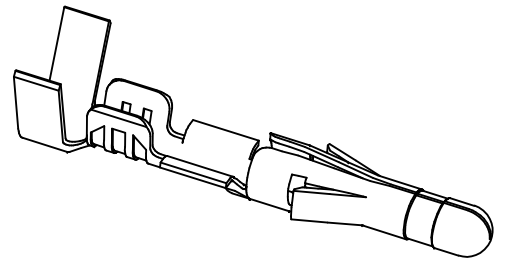
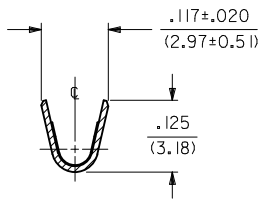
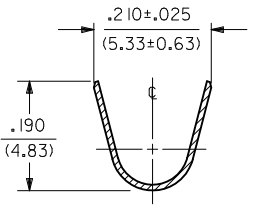
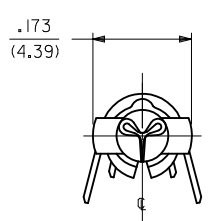
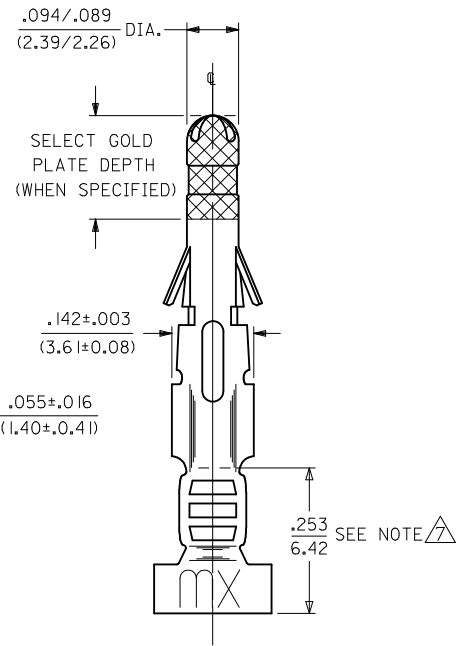
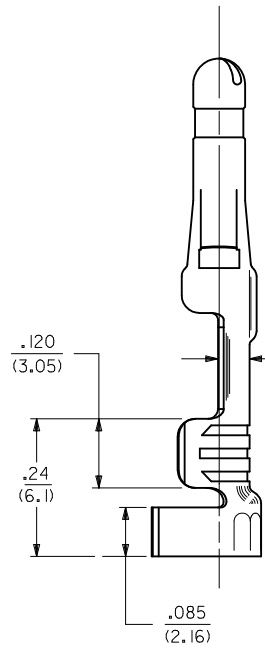
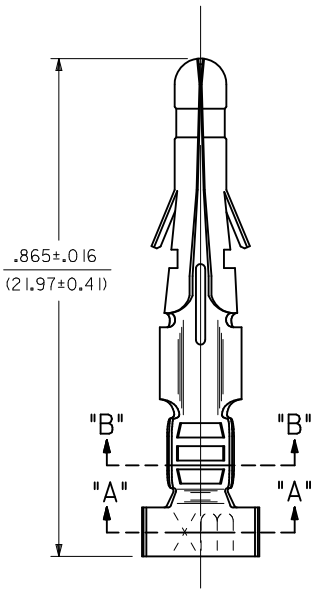


PART NO.	ENG. NO.
02-09-2103	1190-(P901)L
02-09-2101	1190-(P901)
02-09-6110	1190-(591)L
02-09-6101	1190-(591)
02-09-6106	1190-(550)L
02-09-6100	1190-(550)



**SECT. "A-A"**

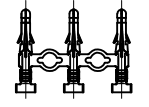
**SECT. "B-B"**



- NOTES:**
- MATERIAL:  
CARTRIDGE BRASS
  - FINISH CODES:  
901 HOT TIN DIP .000020/(0.00051) MIN.  
591 SELECT GOLD PLATE .000050/(0.00127) MIN. IN CONTACT AREA,  
OVER .000050/(0.00127) MIN. NICKEL OVERALL  
WITH .000010/(0.00025) MAX. GOLD FLASH OVERALL.  
550 SELECT GOLD PLATE .000015/(0.00038) MIN. IN CONTACT AREA,  
OVER .000030/(0.00076) MIN. NICKEL OVERALL  
WITH .000010/(0.00025) MAX. GOLD FLASH OVERALL.
  - PRODUCT SPECIFICATION: PS-43660-9999
  - PACKAGING SPECIFICATION: PK-1190-001
  - INSERTION FORCE: 5.0 LBS. MAX. WHEN TERMINAL IS INSERTED INTO .093 SERIES HOUSING.
  - RETENTION: 20 LBS. MIN. FROM HOUSING.
  - ⚠ DIMENSION FROM THE END OF THE TERMINAL TO THE END OF THE BRUSH ON THE WIRE CRIMPED INTO THE TERMINAL.
  - TERMINAL FOR USE WITH .093/(2.36) SERIES HOUSINGS AND WILL ACCEPT 14 THRU 20 AWG WIRE.

**LEGEND**

1190-(\*\*\*\*)\*  
 P=PREPLATE    FORM  
 BLANK=POSTPLATE    BLANK=CHAIN  
 L=LOOSE    FINISH CODE



CHAIN FORM FULL SCALE

<b>REVISE NOTE 5</b> DEC NO: UCP2010-3269 DRWN: AELHAG 2010/06/23 CHKD: JBELL 2010/06/23 APPR: FSMITH 2010/06/29 BS2	QUALITY SYMBOLS ▽=0 ▽=0	GENERAL TOLERANCES (UNLESS SPECIFIED) <table border="1"> <tr> <th></th> <th>mm</th> <th>INCH</th> </tr> <tr> <td>4 PLACES ±</td> <td>---</td> <td>---</td> </tr> <tr> <td>3 PLACES ±</td> <td>---</td> <td>±.010</td> </tr> <tr> <td>2 PLACES ±</td> <td>0.25</td> <td>±.014</td> </tr> <tr> <td>1 PLACE ±</td> <td>0.13</td> <td>---</td> </tr> <tr> <td colspan="3">ANGULAR ±1/2°</td> </tr> </table>		mm	INCH	4 PLACES ±	---	---	3 PLACES ±	---	±.010	2 PLACES ±	0.25	±.014	1 PLACE ±	0.13	---	ANGULAR ±1/2°			DIMENSION STYLE <b>IN/MM</b>	SCALE <b>6:1</b>	DESIGN UNITS <b>INCH</b>	THIRD ANGLE PROJECTION
		mm	INCH																					
	4 PLACES ±	---	---																					
	3 PLACES ±	---	±.010																					
2 PLACES ±	0.25	±.014																						
1 PLACE ±	0.13	---																						
ANGULAR ±1/2°																								
DRAWN BY: AELHAG DATE: 2010/06/23 CHECKED BY: JBELL DATE: 2010/06/23 APPROVED BY: FSMITH DATE: 2010/06/29		TITLE <b>CRIMP TERMINAL, MALE .093/(2.36) DIA. FOR 14 THRU 20 AWG. WIRE</b>		<b>MOLEX INCORPORATED</b>		SHEET NO. <b>1 OF 1</b>																		
DRAFT WHERE APPLICABLE MUST REMAIN WITHIN DIMENSIONS		<b>SEE CHART</b>		DOCUMENT NO. <b>SD-1190-*</b>		THIS DRAWING CONTAINS INFORMATION THAT IS PROPRIETARY TO MOLEX INCORPORATED AND SHOULD NOT BE USED WITHOUT WRITTEN PERMISSION																		