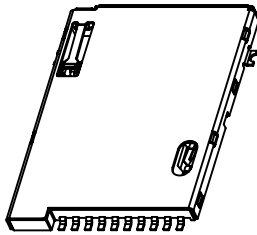
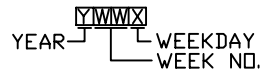
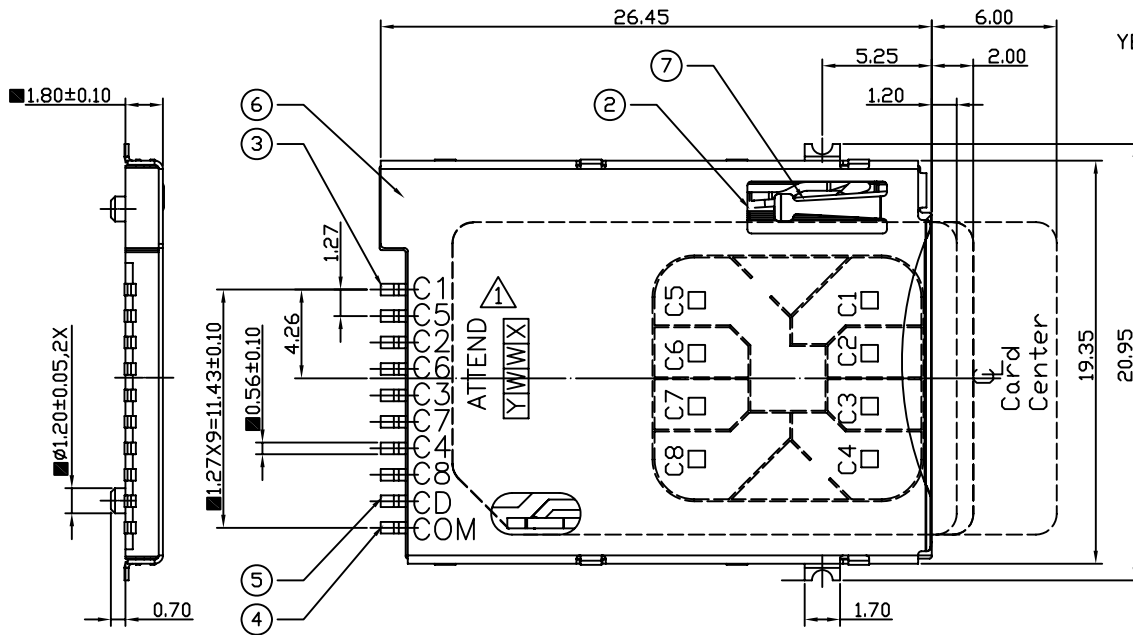
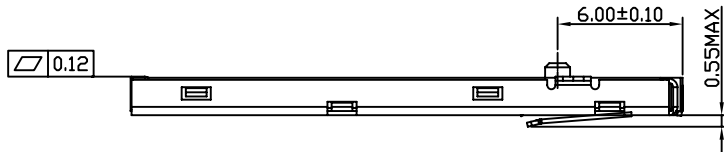


CARD DETECT SW. STATUS.

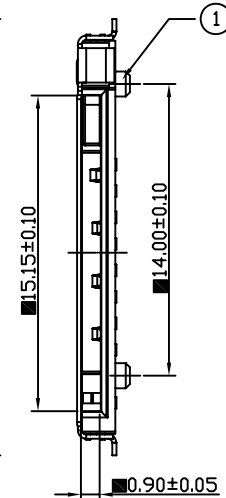


- NOTES:
1. MATERIAL:
HOUSING: LCP+30% G.F., UL 94V-0 RATED, COLOR BLACK.
CONTACTS: COPPER ALLOY.
SHIELD COVER: SUS304, 0.2T.
 2. PLATING:
CONTACT AREA: HARD GOLD PLATING OVER 1.27 μ m(50 μ)MIN, NICKEL UNDERPLATING.
SOLDERING ZONE: 3.05 μ m(120 μ)MIN. 100% TIN, OR LEAD-FREE PLATING PER PART NUMBER DESIGNATION, OVER NICKEL UNDERPLATING.
SHIELD COVER: GOLD FLASH NICKEL UNDERPLATING.
UNDERPLATING: 1.27 μ m (50 μ)MIN. NICKEL ALLOVER.
 3. CUTTING BURR ALLOWED: 0.03mm MAX.
 4. THE DIMENSIONS MARKED WITH '■' ARE CRITICAL DIMENSIONS.
 5. COPLANARITY IS 0.10mm MAX.
 6. RoHS COMPLIANT PRODUCTS



PRODUCT NUMBER:
115A-B D A Q-R01
1 2 3 4 5

- 1.Type
B:8 Pin
- 2.Contact Plating
D:10u"Gold Plating
- 3.Stand Off
A:0mm
- 4.Peg Type
0:w/Peg
- 5.RoHS



PARTS LIST

ITEM	DESCRIPTION	QTY(PC'S)
1	HOUSING	1
2	SLIDER	1
3	MAIN CONTACT	1
4	COM CONTACT	1
5	CD CONTACT	1
6	METAL COVER	1
7	CRANK	1
8	SPRING	1

UNLESS OTHERWISE SPECIFIED TOLERANCE

ANG.	±5
0.	±0.3
.0	±0.25
.00	±0.20

SCALE: AS SHOWN UNIT: mm

DRAWN Willis 2010/10/11

CHECKED Angel 2010/10/11

APPROVED Ken 2010/10/11



ATTEND TECHNOLOGY INC.

www.attend.com.tw

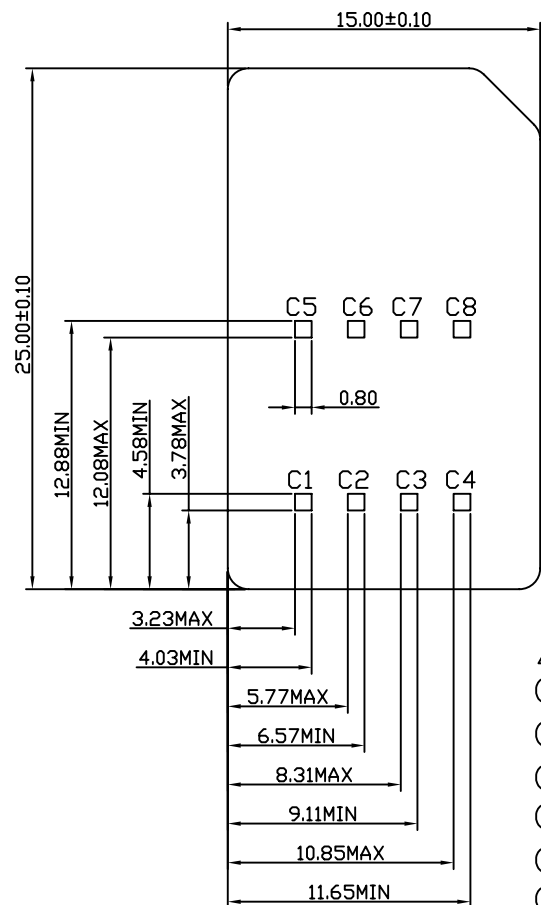
DRAWN NAME: SIM Card Socket
8+2 Pin Push-Push Type

PRODUCT NO. 115A-BDA0-R01

FILE NAME: 115A-BDA0-R01_B_2

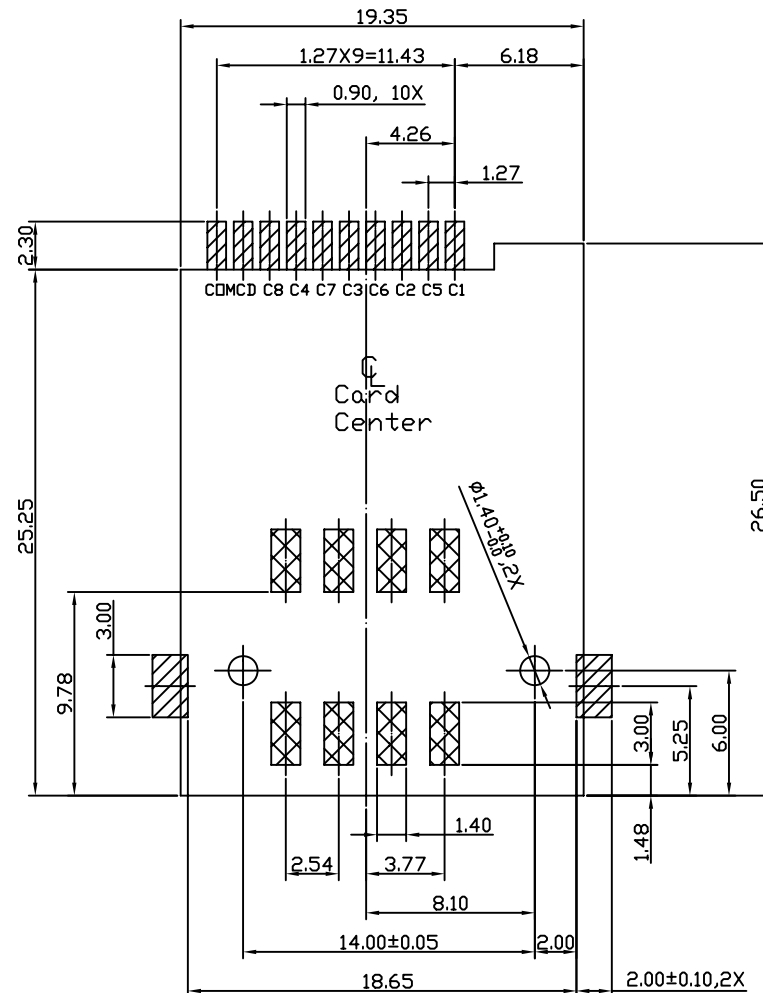
- Revise: pin definition
- Revise: date code marking

REV.	DESCRIPTION	DATE	SIZE	REV.
1			A4	



APPLICABLE CARD SIZE

- △ C1 Supply voltage(VCC)
- C2 Reset(RST)
- C3 Clock(CLK)
- C4 Not used
- C5 Ground(GND)
- C6 Vpp
- C7 Input/output(I/O)
- C8 Not used



RECOMMENDED PCB LAYOUT

— TRACR PROHIBITION AREA

UNLESS OTHERWISE SPECIFIED TOLERANCE

ANG.	±5
0.	±0.3
.0	±0.25
.00	±0.20

SCALE: AS SHOWN UNIT: mm

DRAWN Willis 2010/10/11

CHECKED Angel 2010/10/11

APPROVED Ken 2010/10/11

DATE SIZE A4 REV.



ATTEND TECHNOLOGY INC.

www.attend.com.tw

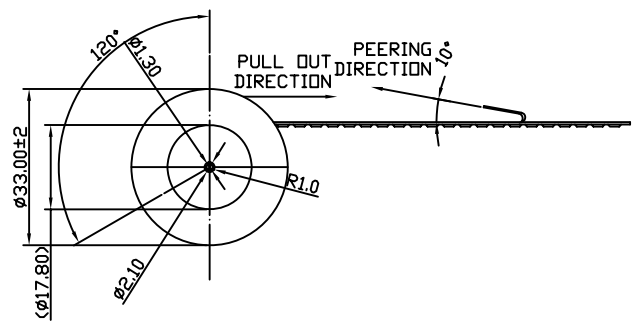
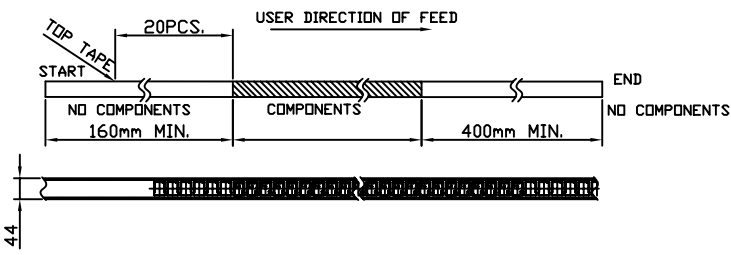
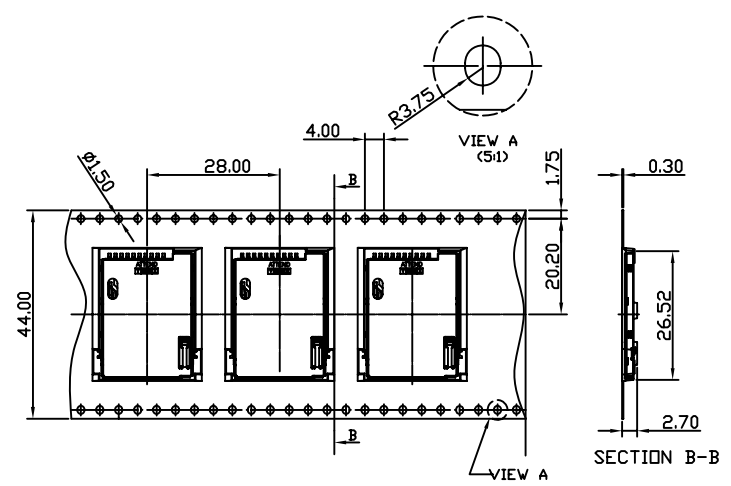
DRAWN NAME: SIM Card Socket
8+2 Pin Push-Push Type

PRODUCT NO. 115A-BDA0-R01

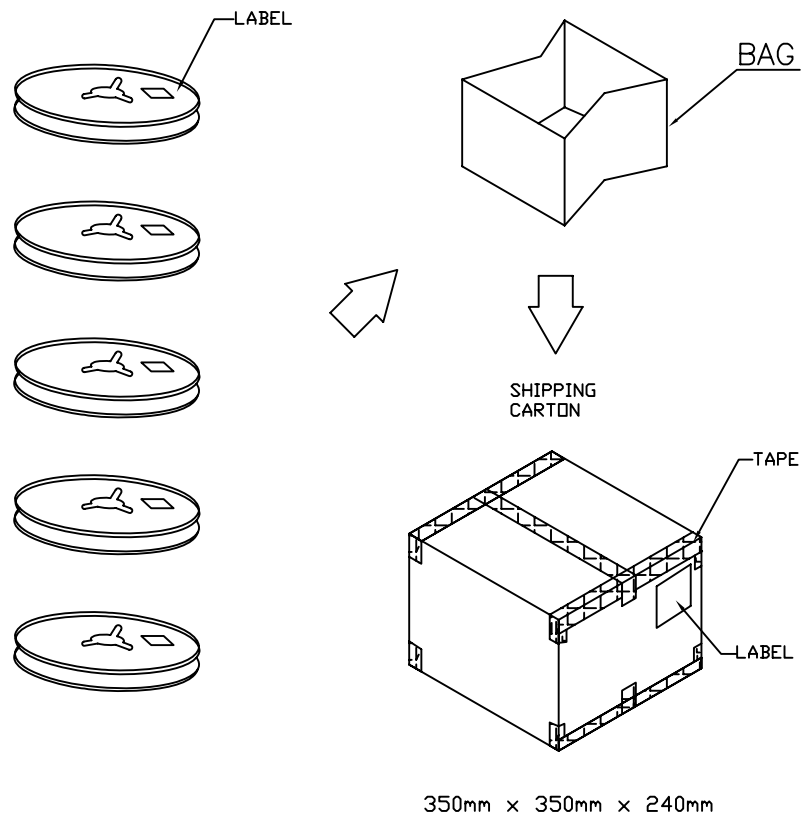
FILE NAME: 115A-BDA0-R01_B_2

△	Revise: pin definition	2010/10/11
⚠	Revise: date code marking	2009/11/25

REV.	DESCRIPTION	DATE	SIZE	REV.
1			A4	



NOTE:
 1. 115A SERIES STANDARD PACKING: 500 PCS/REEL
 2. 5 REEL/SHIPPING CARTON



350mm x 350mm x 240mm

						UNLESS OTHERWISE SPECIFIED TOLERANCE		 ATTEND TECHNOLOGY INC. www.attend.com.tw	
						ANG. ±5 0. ±0.3 .0 ±0.25 .00 ±0.20			
						SCALE: AS SHOWN	UNIT: mm		DRAWN NAME: SIM Card Socket Push-Push Type, 8+2 Pin
						DRAWN Willis	2009/11/25		
						CHECKED Angel	2009/11/25		
						APPROVED Ken	2009/11/25		PRODUCT NO. 115A-BDA0-R01
REV.	DESCRIPTION					DATE	SIZE A4	REV.	FILE NAME: 115A-BDA0-R01_D_1