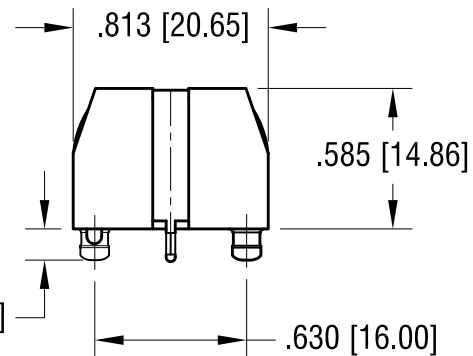
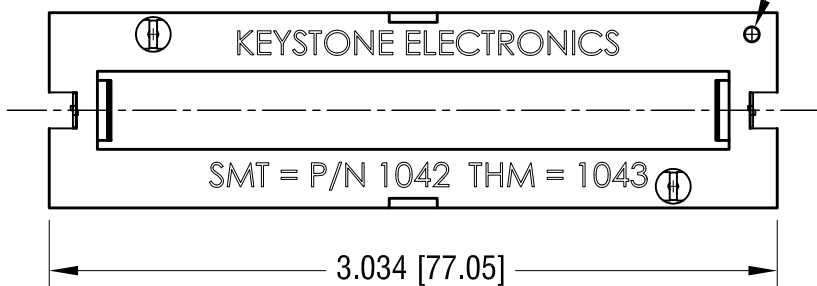
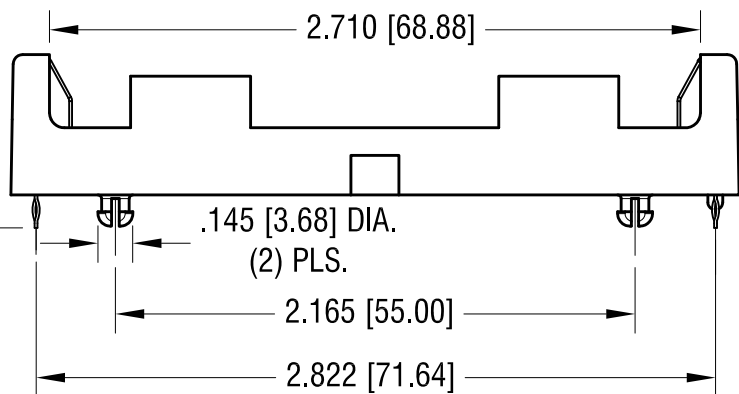
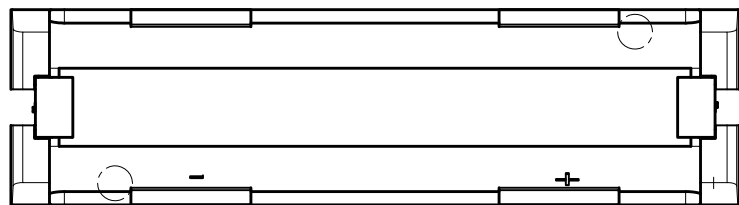
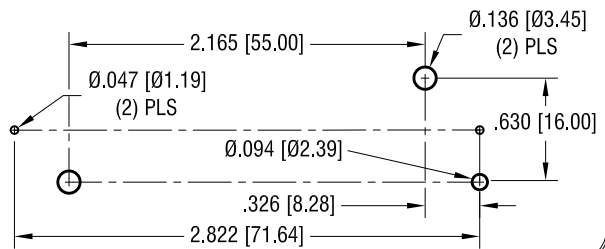
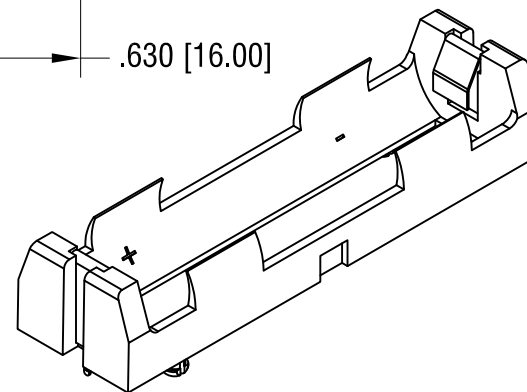


DATE	DESCRIPTION	REV.
8.24.10	CHANGE AS PER ECN 10-062	A
10.04.10	CHANGE AS PER ECN 10-069	B
10.26.10	CHANGE AS PER ECN 10-075	C

**MOUNTING PAD LAYOUT**



Ø.062 [Ø1.57]  
x .062 [1.57] L.



**NOTE:**

1. BASE:  
MAT'L: HEAT RESISTANCE NYLON  
STANYL 46 OR EQUIVALENT
2. CONTACT:  
MAT'L: .012 [0.30] THK PHOSPHOR BRONZE  
FINISH: TIN NICKEL PLATE

THIS DOCUMENT IS THE PROPERTY OF  
KEYSTONE ELECTRONICS CORP. AND  
SHALL NOT BE REPRODUCED, DISTRIBUTED  
OR USED AS A BASIS FOR MANUFACTURE  
WITHOUT PRIOR WRITTEN PERMISSION  
FROM KEYSTONE ELECTRONICS CORP.

<b>KEYSTONE ELECTRONICS CORP.</b>			
www.keyelco.com • ASTORIA, N.Y. 11105-2017 • Tel (718) 956-8900			
PART NAME THM BATTERY HOLDER BASE, 18650			
MATERIAL AS NOTED			
FINISH AS NOTED	DRN BY NT	DATE 8.19.10	
	APPD LN	SCALE 1.25X	
TOLERANCES INCH [MM] DECIMAL ±.010 [±0.25] ANGULAR ± 1° UNLESS OTHERWISE SPECIFIED	CODE C	DWG NO. 1043	