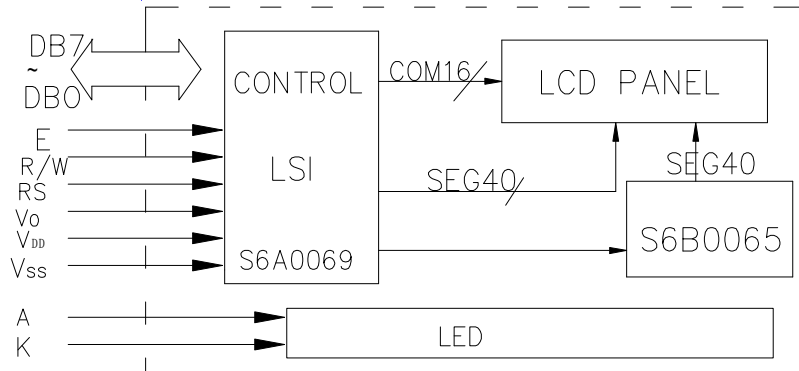


HIGH	COLOUR	H1	H2
LED BACKLIGHT	Yellow-Green	14	9.5
LED BACKLIGHT	White	11.6	7.5



FEATURE

1. 5 x 8 dots with cursor
2. Display format: 16 characters x 2 lines
3. LCD type: FSTN/STN /TN
4. LCD controller: S6A0069
5. LCD colour: Blue/Gray/Yellow-Green

MECHANICAL SPECIFICATIONS

CHARACTER NUMBER	16 x 2	---
OVERALL SIZE	85 x 29.5	mm
VIEWING AREA	64.5 x 16.5	mm
HOLE-HOLE	82 x 26.2	mm
DOT SIZE	0.56 x 0.61	mm
DOT PITCH	0.61 x 0.66	mm

ABSOLUTE MAXIMUM RATINGS

ITEM	SYMBOL	MIN	MAX	UNIT
Power supply(logic)	V _{DD}	-0.3	5.5	V
Power supply(lcd)	V _{LCD}	0	4.9	V
Input voltage	V _{in}	-0.3	V _{DD}	V

ELECTRONICAL CHARACTERISTICS

ITEM	SYMBOL	CONDITION	STANDARD			UNIT
			MIN	TYP	MAX	
Power supply voltage for circuit	V _{DD} -V _{SS}	-----	4.75	5	5.25	V
Power supply voltage for LCD drive	V _{DD} -V ₀	-----	-----	4.7	-----	V
LCD display duty ratio	DUTY	-----	-----	1/16	-----	---
LED BACKLIGHT	I _{fp}	1 mseo plus 10% Dutc	-----	-----	-----	mA
		Operating voltage	-----	4.1(YG)	-----	V
		Forward current		-----	-----	mA
LED Lifetime	-----	VFL=4.0Vrms	----	100000	-----	Hr
Power supply LCD current	IEE	VDD-V0= 4.7 V	----	-----	----	mA

Pin Assignment

Pin no	symbol	Function
1	V _{SS}	Ground
2	V _{DD}	Power Supply for LCM(+)
3	V ₀	Contrast Adjust
4	RS	Register select signal
5	R/W	Data read / write
6	E	Enable signal
7-14	DB0-DB7	Data bus
15	A	Power supply for LED BL(+)
16	K	Power supply for LED BL(-)

DISPLAY CHARACTER ADDRESS CODE

Display position:	1	2	3	4	5	6	7	8	9	10	11	12	13	14	15	16				
Address line1:	00	01	02	03	04	05	06	07	08	09	0A	0B	0C	0D	0E	0F				
Address line2:	40	41	42	43	44	45	46	47	48	49	4A	4B	4C	4D	4E	4F				