

Cable socket, self-assembly

Product description

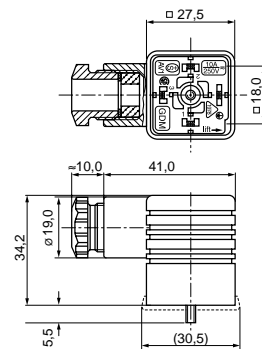
- durable angled connectors, dust and splash protected (IEC 60529 – IP 65)
- vibration-proof locking using a central screw available for tool-free actuation or as a knurled screw
- wide range of cable diameters from 4.5 mm to 14 mm using different PG glands
- patent-protected combiantio terminal for connecting flex wire with wire end ferrules or fixture of fork-type cable shoes/eye directly under the screw head

Product features

- hydraulic, pneumatic, electromagnetic actuators; e.g. solenoid valves, pressure sensors, flow indicators.
- heat eningeering: gas appliance and oil burner controls (GDMW) to DIN VDE 0722/DIN 3394 T1
- in appliances and equipment subject to vibrations, e.g. track-bound vehicles, building machinery, conveying systems, using the crimp connection method (GDMC)

Further information

see technical data in the catalog Rectangular connectors for automation technique DS 280 490-440.



GDM 2009

poles	type	cable gland	type or connection	color	approvals	order no.
2+ ⊕	GDM 2009	PG 9	S	black	CE, S, 1973	931 965-100
	GDM 2009 J	PG 9	S / CS / CE	grey	CE, S, 1973, UL	931 965-106
	GDM 2011	PG 11	S	black	CE, S, 1973	931 236-100
	GDM 2011 J	PG 11	S / CS / CE	grey	CE, S, 1973, UL	931 236-106
3+ ⊕	GDM 2014 J	ISO 228-G1/2(R1/2")	S / CS / CE	black	CE, S, 1973, UL	931 957-100
	GDM 3009	PG 9	S	black	CE, S, 1973	931 957-106
	GDM 3009 J	PG 9	S / CS / CE	grey	CE, S, 1973, UL	932 106-100
	GDM 3011	PG 11	S	black	CE, S, 1973	932 106-106
	GDM 3011 J	PG 11	S / CS / CE	grey	CE, S, 1973, UL	932 107-100
	GDM 3014 J	ISO 228-G1/2 (R1/2")	S / CS / CE	black	CE, S, 1973, UL	932 107-106
	GDMF 3009	PG 16	S	black	CE, S, 1973	931 969-100
	GDMW 3011 CF	PG 11	S	black	CE, S, 1973, UL	931 969-106
	GDMW 3011 DF	PG 11	S	grey	CE, S, 1973	932 214-100
	GDMW 3011 DF	PG 11	S	black	CE, S, 1973	932 214-106
2+/3+ ⊕	GDMC 0009 JPT	PG 9	C	black	CE, S, 1973	931 952-100
	GDMC 0011 JPT	PG 11	C	grey	CE, S, 1973	931 952-106
	GDMC 3011	PG 11	C	black	CE, S, 1973, UL	932 109-100
	GDMC 3011	PG 11	C	grey	CE, S, 1973, UL	932 109-106
	GDMC 3011	PG 11	C	black	CE, S, 1973, UL	932 110-100
	GDMC 3011	PG 11	C	black	CE, S, 1973	933 944-100
				black	CE, S, 1973	932 545-200
				grey	CE, S, 1973	932 545-206
				black	CE, S, 1973	932 547-200
				grey	CE, S, 1973	932 547-206
				black	CE, S, 1973	933 583-100
				grey	CE, S, 1973	933 583-106
				black	CE, S, 1973	933 364-100
				grey	CE, S, 1973	933 364-106
				black	CE, S, 1973, UL	931 963-100

S = screw; CS = cable shoe; CE = cable eye; C = crimps

Cable socket with electronic insert

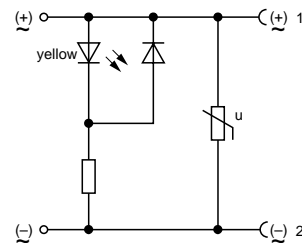


Product features

- with integrated electronic circuits such as rectifiers, optical status displays, protective elements etc. for the connection of appliances or elements which do not have these functions integrated (GDML, GDME)
- integrated electronic circuitry in many standard versions or according to your specifications

Further information

see technical data in the catalog
Rectangular connectors
for automation technique
DS 280 490-440.



GDML 2011 LED 24 VR YE

poles	type	operating voltage	description	LED color	Pg color	order no.	
2+ ⊕	GDML 2009 RC 230 1	UC 250 V	RC element		black	933 802-112	
	GDML 2011 GB1	UC 250 V	bridge-type rectifier		black	932 329-100	
		GDML 2011 GBC	UC 250 V	bridge-type rectifier and capacitor		grey	932 329-106
		GDML 2011 GE1 G	UC 250 V	half-wave rectifier		black	932 923-100
		GDML 2011 GB1 LED 24	UC 24 V	bridge-type rectifier and varistor	red	black	932 330-100
		GDML 2011 LED 24 GB	UC 24 V	LED rectifier and varistor	red	black	932 446-002
		GDML 2011 LED 24	UC 24 V	function indicator with freewheeling diode	red	grey	932 446-003
		GDML 2011 LED 24 YE	UC 24 V	function indicator with freewheeling diode	yellow	black	932 501-002
		GDML 2011 LED 24 HH-P	UC 24 V	half-wave rectifier	red	grey	932 501-003
		GDML 2011 LED 24 HH	DC 24 V	function indicator with protective circuit	red	black	932 527-002
		GDML 2011 LED 24 HH YE	DC 24 V	function indicator with protective circuit	yellow	grey	932 332-002
		GDML 2011 LED 24 VR YE	UC 24 V	function indicator with freewheeling diode and varistor	yellow	black	932 332-003
		GDML 2011 LED 24 VR	UC 24 V	function indicator with freewheeling diode and varistor	red	grey	932 527-002
		GDML 2011 J 2 LED 24	UC 24 V	function indicator double LED	red	black	932 527-003
		GDML 2011 J 2 LED 24 VR	UC 24 V	function indicator double LED and varistor	red	grey	932 444-002
		GDML 2011 LED 48 HH	DC 48 V	function indicator with protective circuit	red	black	932 444-003
		GDML 2011 LED 48 VR	UC 48 V	function indicator with freewheeling diode and varistor	red	grey	932 336-002
		GDML 2011 LED 48 VR YE	UC 48 V	function indicator with freewheeling diode and varistor	yellow	black	932 336-003
						grey	932 640-002
						black	932 640-003
					grey	933 737-212	
					black	933 737-712	
					black	933 996-100	
					grey	933 996-106	
					black	933 997-100	
					grey	933 997-106	
					black	932 648-002	
					black	933 924-212	
					grey	933 924-712	
					black	933 926-212	
					grey	933 926-712	



Cable socket with electronic insert (continuation)

poles	type	operating voltage	description	LED color	Pg color	order no.
2+ ⊕	GDML 2011 GB1 LED 48	UC 48 V	bridge-type rectifier and varistor	red	black	933 925-212
	GDML 2011 LED 120 YE	UC 120 V	function indicator	yellow	grey	933 925-712
	GDML 2011 LED 120 VR YE	UC 120 V	function indicator with free-wheeling diode and varistor	yellow	black	933 738-212
	GDML 2011 J 120 LG	UC 120 V	glow lamp		grey	933 738-712
	GDML 2011 LED 230 YE	UC 250 V	function indicator	yellow	black	933 927-212
	GDML 2011 LED 230 VR YE	UC 250 V	function indicator with free-wheeling diode and varistor	yellow	grey	933 927-712
	GDML 2011 J LG 230	UC 250 V	glow lamp		black	933 998-100
3+ ⊕	GDML 3011 LED 24 BO	DC 24 V	function indicator for pressure switch	red	grey	933 998-106
	GDML 3011 LED 24 RG	DC 24 V	function indicator for pressure switch	double LED red/green	black	933 739-212
	GDML 3011 LED 230 RG	UC 250 V	function indicator for pressure switch	double LED red/green	grey	933 739-712
					black	933 916-212
					grey	933 916-712
					black	933 999-100
				grey	933 999-106	
				black	932 856-002	
				grey	932 856-003	
				black	932 857-002	
				black	933 748-212	
				grey	933 748-712	

Cable socket to accept electronic inserts

Product features

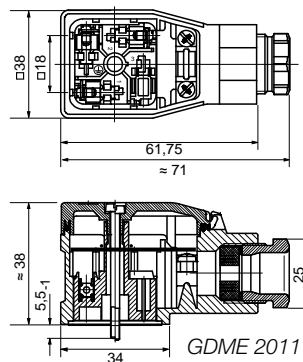
- cable socket with transparent cover
- strain relief
- possibility to fit electronic inserts

Variation

with integral timer circuit

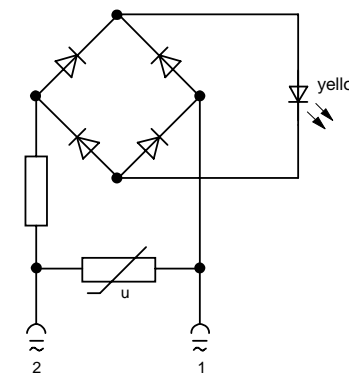
Further information

see technical data in the catalog
Rectangular connectors for automation technique
DS 280 490-440.



poles	type	operating voltage	description	color	approvals	order no.
2+ ⊕	GDME 2011	AC 400 V, DC 250 V	cable socket with central screw M3 x 40	black		933 029-100
	GDME 2013	AC 400 V, DC 250 V	cable socket with central screw M3 x 40	grey		933 029-106
3+ ⊕	GDME 2011 Timer	AC 48 V, DC 24 V	cable socket with timer circuit	black		933 030-100
	GDME 3011	AC 400 V, DC 250 V	cable socket with central screw M3 x 40	black		933 030-106
	GDME 3011	AC 400 V, DC 250 V	cable socket with central screw M3 x 40	grey		933 719-100
	GDME 3013	AC 400 V, DC 250 V	cable socket with central screw M3 x 40	black		933 022-100
	GDME 3013	AC 400 V, DC 250 V	cable socket with central screw M3 x 40	grey		933 022-106
				black	933 031-100	
				grey	933 031-106	

Electronic inserts for GDME



GDME-LED 24 GB YE

Product features

with electronic circuits such as rectifiers, optical status displays, protective elements etc. for the connection of appliances or elements which do not have these functions integrated

Further information

see technical data in the catalog Rectangular connectors for automation technique DS 280 490-440.

type	operating voltage	description	LED-color	order no.
GDME-LED 24 GB YE	UC 24 V	LED rectifier with protective circuit and function indicator	yellow	831 870-001
GDME-LED 24 HH YE	DC 24 V	function indicator with protective circuit	yellow	831 873-001
GDME-LED 24 YE	UV 24 V	function indicator with freewheeling diode	yellow	831 863-001
GDME-LED 24	UV 24 V	function indicator with freewheeling diode	red	831 839-001
GDME-HDL 24 YE	UV 24 V	function indicator with freewheeling diode	yellow	832 028-001
GDME 2 LED 24	UV 24 V	function indicator (2 LED'S)	yellow/green	831 876-001
GDME-LED 48 YE RE	UC 48 V	function indicator with freewheeling diode and varistor	yellow	831 858-001
GDME-GB1 LG 120	UC 120 V	bridge-type rectifier with protective circuit and function indicator	glow lamp	831 836-001
GDME-LG 120	UC 120 V	function indicator	glow lamp	831 826-001
GDME-GB1 LG 230	UC 250 V	bridge-type rectifier with protective circuit and function indicator	glow lamp	831 834-001
GDME-GB1	UC 250 V	bridge-type rectifier with protective circuit		831 832-001
GDME-LG 230	UC 250 V	function indicator	glow lamp	831 824-001
GDME-UV1		unequipped circuit board with 2 fork type springs and 2 clamping box		931 415-001
GDME-UV3 N		unequipped circuit board with 2 fork type springs and 2 flat head terminals		931 954-001

Molded cable socket

Product description

preassembled and molded-on cable socket without integrated electronic circuitry

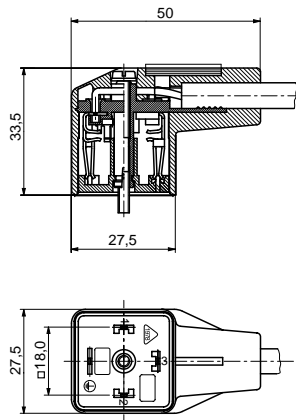
Variations

- PVC grey (additional colors, cable material, length... on application)
- 0° and 180° cable outlet
- connected protective earth (PE) allows 0° and 180° assembly

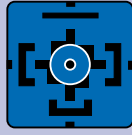
Further information

see technical data in the catalog Rectangular connectors for automation technique DS 280 490-440.

For tailor-made systems, see page 24

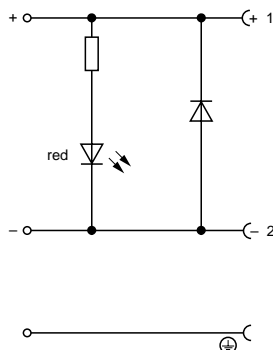


GDM-K 3000



poles	type	length	color	operating voltage	description	order no.
2+ ⊕	GDM-K 2000	2m	black grey	UC 250 V		933 096-111 933 096-611
		5m	black grey	UC 250 V		933 096-112 933 096-612
	GDM-K 2000 Z	2m	black grey	UC 250 V	180 ° cable outlet	933 133-111 933 133-611
		5m	black grey	UC 250 V	180 ° cable outlet	933 133-112 933 133-612
	GDM-K 2000 PE 2	2m	black grey	UC 250 V	PE connected	933 655-111 933 655-611
		5m	black grey	UC 250 V	PE connected	933 655-112 933 655-612
3+ ⊕	GDM-K 3000	2m	black grey	UC 250 V		933 095-111 933 095-611
		5m	black grey	UC 250 V		933 095-112 933 095-612
	GDM-K 3000 Z	2m	black grey	UC 250 V	180° cable outlet	933 136-111 933 136-611
		5m	black grey	UC 250 V	180° cable outlet	933 136-112 933 136-612

Molded cable socket, with electronic insert



GDML-K 2000 LED 24 HH

Product description

assembled and molded cable sockets with integrated electronic circuitry and/or LED displays

Variations

- PVC grey (additional colors, cable material, length... on application)
- 0° and 180° cable outlet
- connected protective earth (PE) allows 0° and 180° assembly

Further information

see technical data in the catalog Rectangular connectors for automation technique DS 280 490-440.

For tailor-made systems, see page 24

poles	type	length	color	voltage	description	LED-color	order no.
2+ ⊕	GDML-K 2000 PE 2 LED 24 HH	2m	black	DC 24 V	function indicator with protective circuit PE connected	red	933 413-111
		5m	grey	DC 24 V	function indicator with protective circuit PE connected	red	933 413-611
	GDML-K 2000 PE 2 LED 24 GB 1 ZZ	2m	black	UC 24 V	LED rectifier with Z-diode and function indicator PE connected	yellow	933 656-111
		5m	grey	UC 24 V	LED rectifier with Z-diode and function indicator PE connected	yellow	933 656-611
	GDML-K 2000 LED 24 GB 1 ZZ	2m	black	UC 24 V	LED rectifier with Z-diode and function indicator	yellow	933 105-111
		5m	grey	UC 24 V	LED rectifier with Z-diode and function indicator	yellow	933 105-611
	GDML-K 2000 Z LED 24 GB 1 ZZ	2m	black	UC 24 V	LED rectifier with Z-diode and function indicator 180° cable outlet	yellow	933 121-111
		5m	grey	UC 24 V	LED rectifier with Z-diode and function indicator 180° cable outlet	yellow	933 121-611
	GDML-K 2000 LED 24 HH	2m	black	DC 24 V	function indicator with protective circuit	red	933 106-111
		5m	grey	DC 24 V	function indicator with protective circuit	red	933 106-611
	GDML-K 2000 Z LED 24 HH	2m	black	DC 24 V	function indicator with protective circuit 180° cable outlet	red	933 124-111
		5m	grey	DC 24 V	function indicator with protective circuit 180° cable outlet	red	933 124-611
	GDML-K 2000 LED 120 HH VR	2m	black	UC 120 V	function indicator with protective circuit	red	933 108-111
		5m	grey	UC 120 V	function indicator with protective circuit	red	933 108-611
	GDML-K 2000 LED 230 HH VR	2m	black	UC 250 V	function indicator with protective circuit	red	933 107-111
		5m	grey	UC 250 V	function indicator with protective circuit	red	933 107-611

Appliance connector

Product description

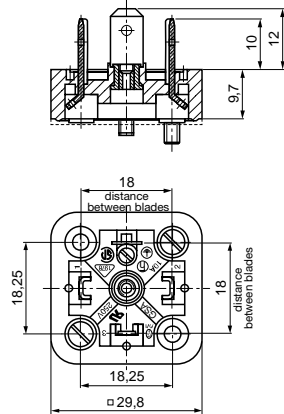
appliance plug (pin plates) for almost all applications

Product features

- for sheet metal wall mounting
 - for mounting on flat ang. conduit
 - for moulding-in
 - for screw-in mounting (PG thread)
 - for encapsulation
- pin plates IP 65 without encapsulation

Further information

see technical data in the catalog
Rectangular connectors
for automation technique
DS 280 490-440.



GSA 2000 N



poles	type	description	approvals	order no.		
2+ ⊕	GSA 2000	longitudinal slots, open nut		932 591-500		
	GSA 2000 A	longitudinal slots, closed nut		932 592-500		
	GSA 2000 N	open nut		932 967-100		
	GSA-U 2000 N LO	solder lug		933 378-100		
	GSA-U 2000 N LU	solder cup		933 378-200		
	GSA-U 2075 SK	insulation displacement		933 380-100		
	GSE 2000 N4	installation in sheet metal		932 886-100		
	GSR-U 2000 LS	solder projection, for injection moulding		933 377-300		
	GSR-U 2000 LO	solder lug, for injection moulding		933 377-100		
	GSR-U 2000 LU	solder cup, for injection moulding		933 377-200		
	GSP 211	thread PG 11		931 298-001		
	GSP 212	thread PG 1/2" NPTF		931 298-004		
	GSP 213	thread PG 13,5		931 298-003		
	GSAZ 200	for cylinder gasket		932 429-100		
	3+ ⊕	GSA 3000		longitudinal slots, open nut		932 597-100
		GSA 3000 A		longitudinal slots, closed nut		932 598-500
		GSA 3000 N		open nut		932 968-100
GSA-U 3000 N LO		solder lug	933 379-100			
GSA-U 3000 N LU		solder cup	933 379-200			
GSA-U 3075 SK		insulation displacement	933 381-100			
GSE 3000 N4		installation in sheet metal	932 890-100			
GSR-U 3000 LS		solder projection, for injection moulding	933 376-300			
GSR-U 3000 LO		solder lug, for injection moulding	933 376-100			
GSR-U 3000 LU		solder cup, for injection moulding	933 376-200			
GSP 311		thread PG 11	931 297-001			
GSP 312		thread PG 1/2" NPTF	931 297-004			
GSP 313		thread PG 13,5	931 297-003			
GSP 316		thread PG 16	931 297-002			
GSAZ 300		for cylinder gasket	932 430-100			
2+/3+ ⊕		GSC 300	crimp			931 382-100
		GSCZ 300	crimp for cylinder gasket			932 467-100

Accessories

Product features

- flat- und profiled gaskets
- central screws
- protective cap
- measuring adapter (measuring during use)

Further information

see technical data in the catalog
Rectangular connectors
for automation technique
DS 280 490-440.



type	description	order no.
GDM 3-7	flat gasket NBR	730 801-002
GDM 3-21	flat gasket ECO	731 739-002
GDM 3-16	profiled gasket NBR	731 531-002
SHK 3	protective cap	733 790-002
MESAP 43 650	measuring adapter	932 818-002
GDM 3011-8	central screw with knurled head GDM/GM	732 574-001
GDME 3N-7	central screw with knurled head GDME	732 280-001
GDM 3011 RF-1	stainless steel screw GDM/GM	734 363-001
GSA 200-4	flat gasket NBR	730 843-002
GSA 200-7	flat gasket ECO	730 268-002
GSE 2000-2	flat gasket NBR	733 973-002
GSE 2000-3	flat gasket ECO	733 846-002
GSAZ 35/43	profiled gasket 35-43 mm NBR	733 262-002
GSAZ 35/43	profiled gasket 35-43 mm MPQ	733 261-002
GSAZ 40/62	profiled gasket 40-62 mm NBR	733 264-002
GSAZ 40/62	profiled gasket 40-62 mm MPQ	733 263-002
GSAZ 60/120	profiled gasket 60-120 mm NBR	733 266-002
GSAZ 60/120	profiled gasket 60-120 mm MPQ	733 265-002