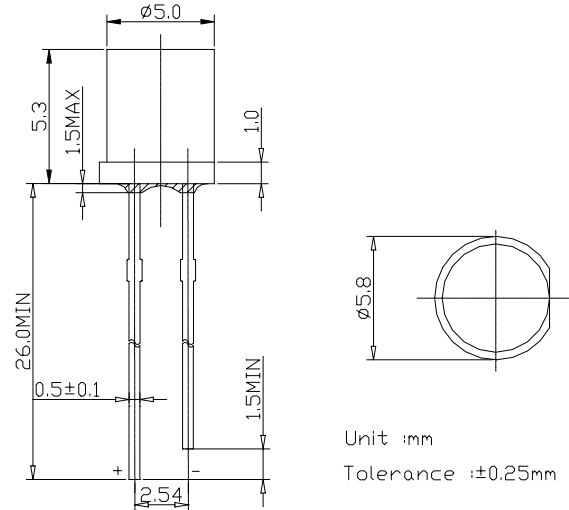


■Features

- 5mm Standard Directivity
- Water clear Type
- Superior Weather-resistance
- UV Resistant Epoxy
- RoHS compliant

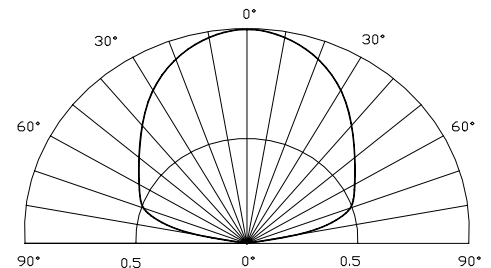
■Applications

- General Purpose Indicators
- Small Area Illuminations
- Back Lighting

■Outline Dimension

■Absolute Maximum Rating
(Ta=25)

| Item | Symbol | Value | Unit |
|----------------------------|-----------|-----------|------|
| DC Forward Current | I_F | 30 | mA |
| Pulse Forward Current* | I_{FP} | 100 | mA |
| Reverse Voltage | V_R | 5 | V |
| Power Dissipation | P_D | 120 | mW |
| Operating Temperature | T_{opr} | -30~ +80 | |
| Storage Temperature | T_{stg} | -30 ~+100 | |
| Lead Soldering Temperature | T_{sol} | 260 /5sec | - |

*Pulse width Max.10ms Duty ratio max 1/10

■Directivity

■Electrical -Optical Characteristics
(Ta=25)

| Item | Symbol | Condition | Min. | Typ. | Max. | Unit |
|--------------------------|-----------------|------------|------|------|------|---------|
| DC Forward Voltage | V_F | $I_F=20mA$ | 2.8 | 3.4 | 4.0 | V |
| DC Reverse Current | I_R | $V_R=5V$ | | - | 10 | μA |
| Luminous Intensity | I_v | $I_F=20mA$ | 500 | 750 | 1120 | mcd |
| Chromaticity Coordinate* | x | $I_F=20mA$ | 0.27 | 0.31 | 0.33 | |
| | y | $I_F=20mA$ | 0.28 | 0.30 | 0.32 | |
| 50% Power Angle | $2\theta_{1/2}$ | $I_F=20mA$ | - | 140 | - | deg |

*Please refer to CIE 1931 chromaticity diagram.