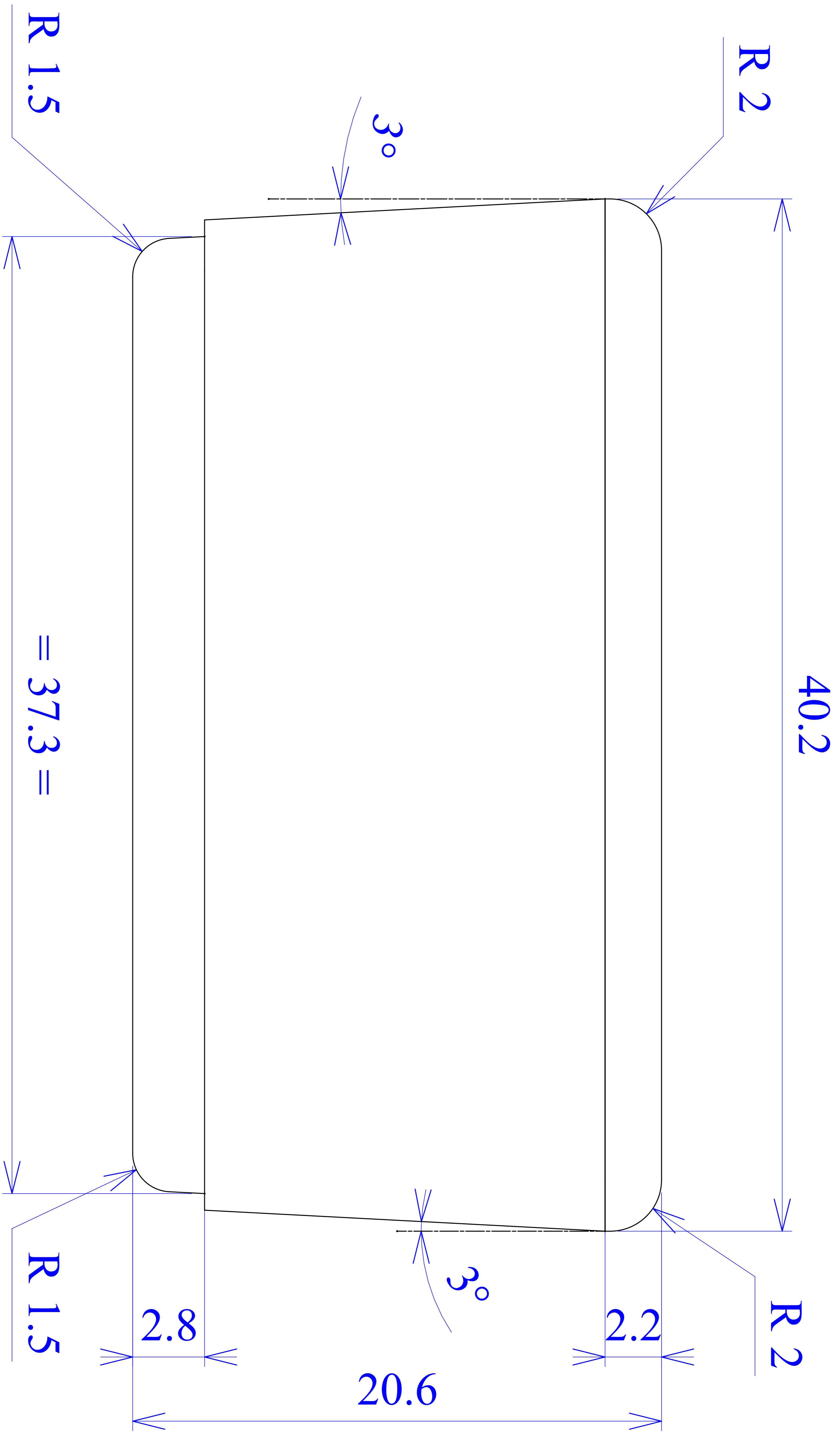
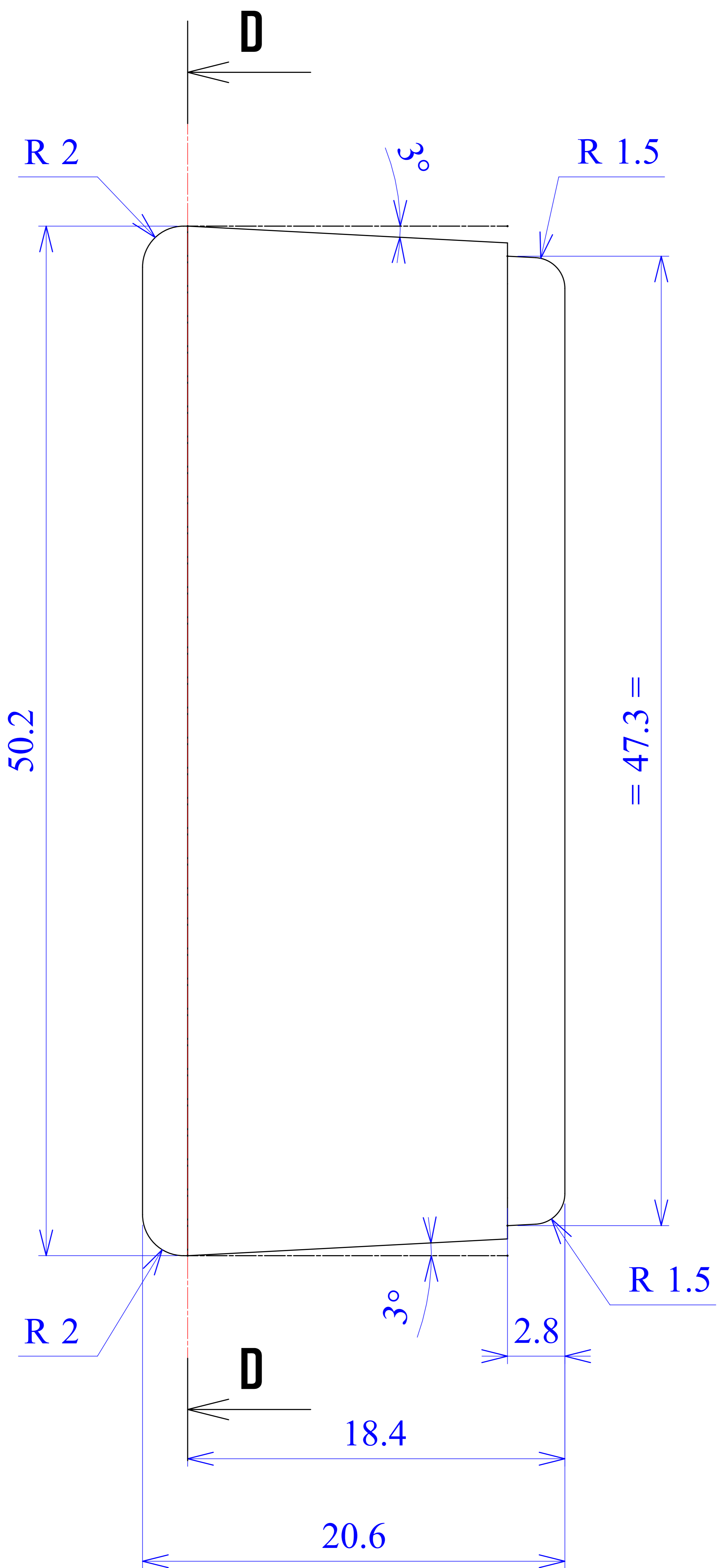


B - B





R 2

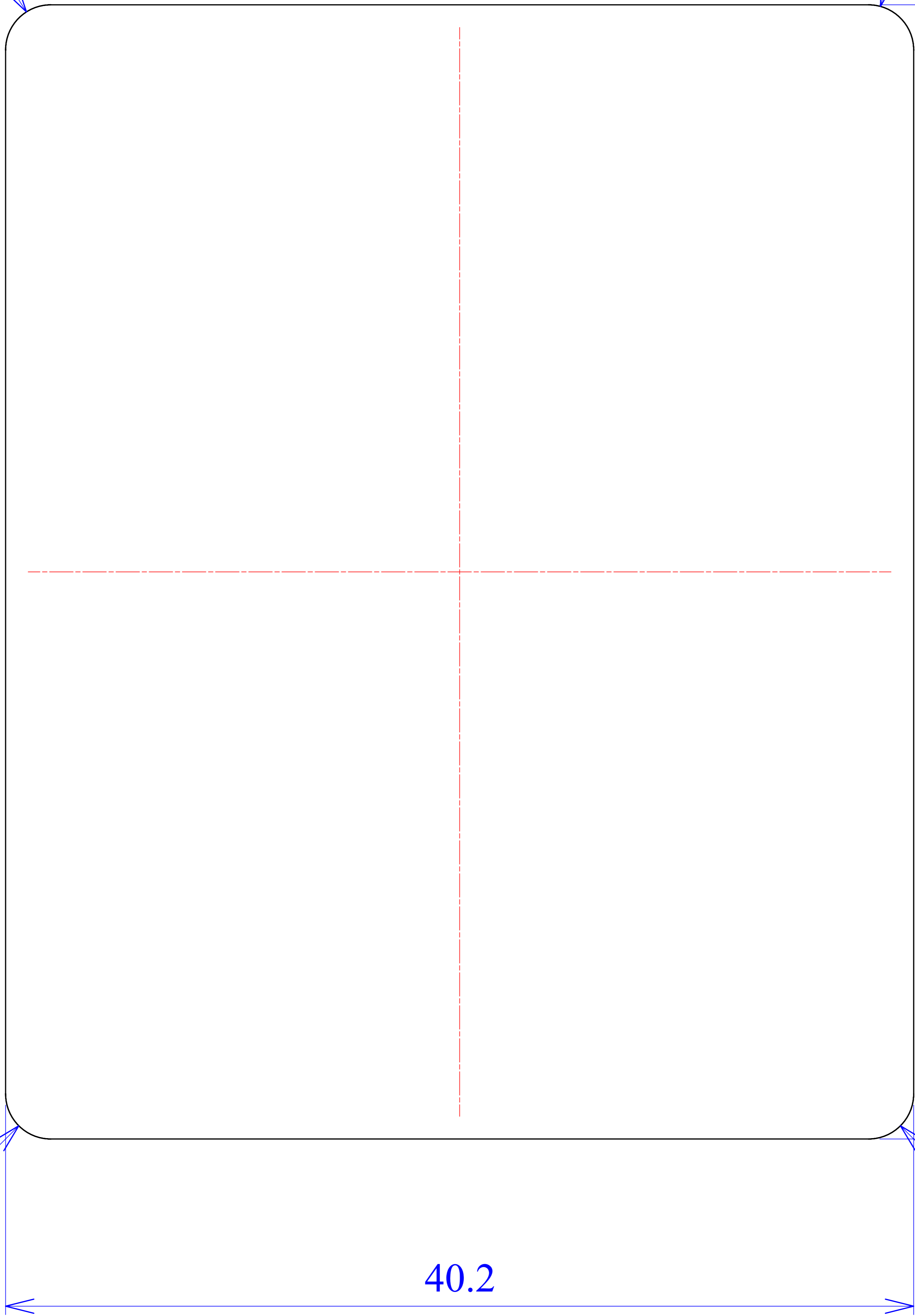
R 2

R 2

R 2

40.2

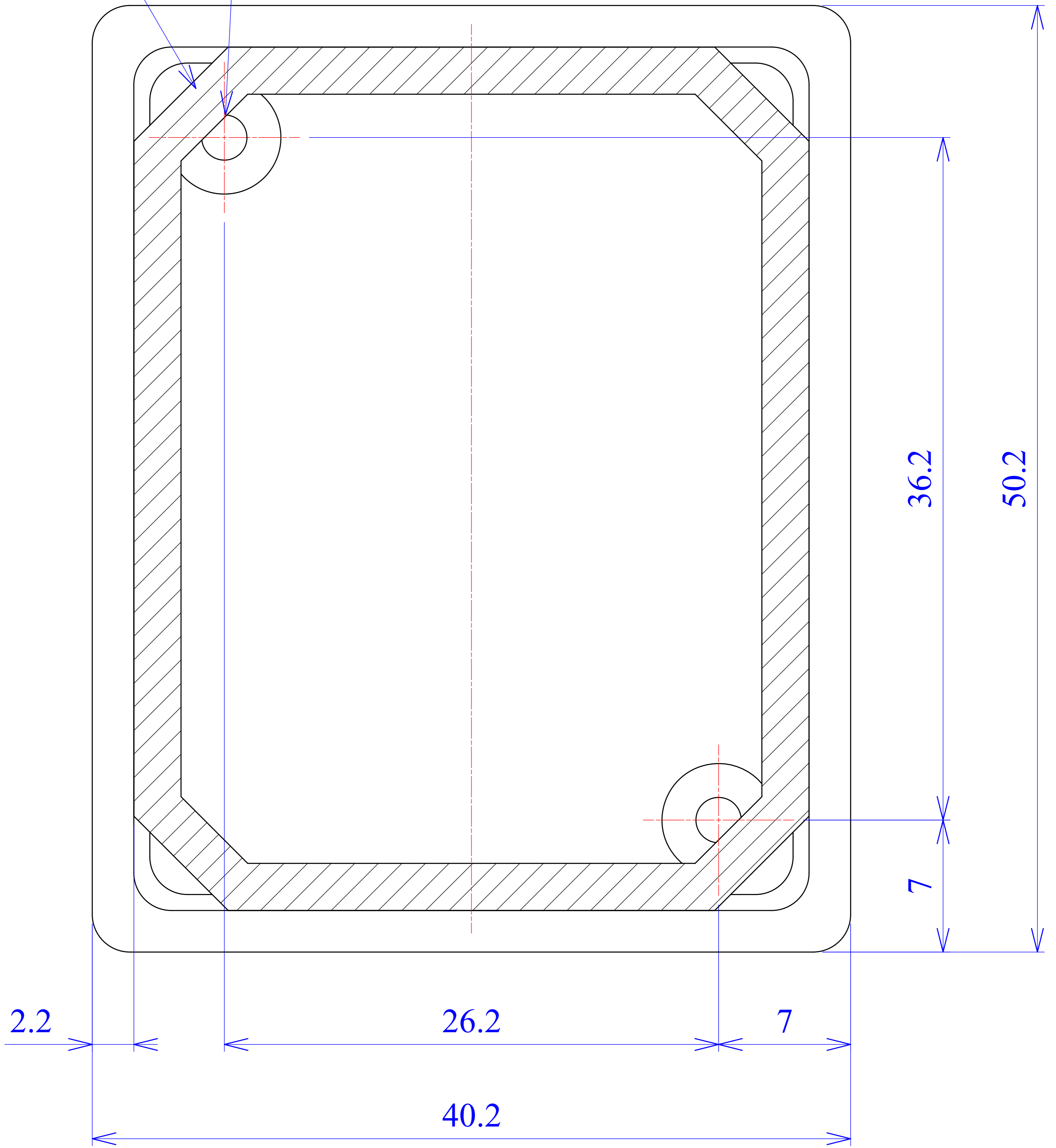
50.2



2x Ø 6

2x Ø 2.4

C - C



2.2

26.2

7

40.2

36.2

50.2

7

D - D

