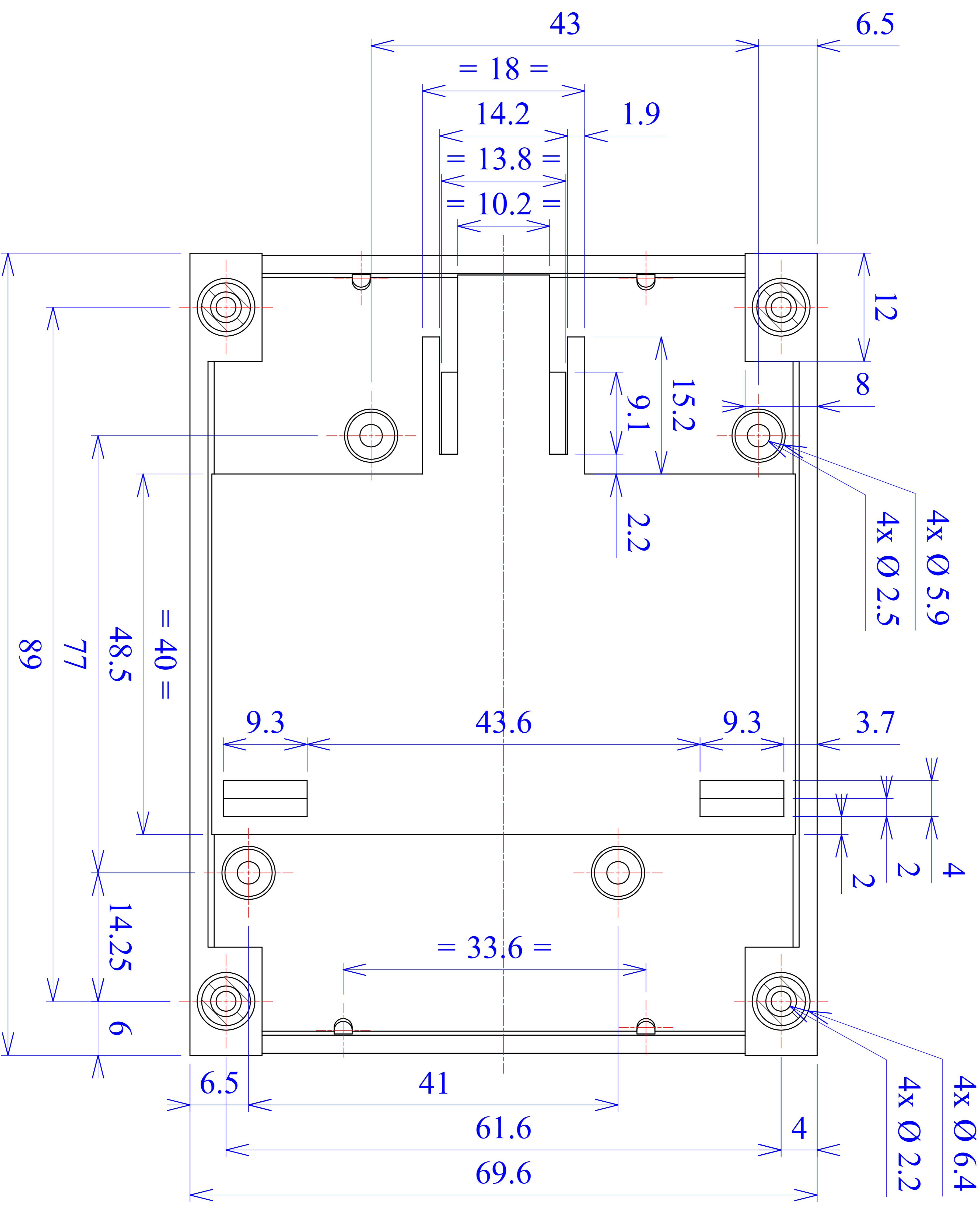
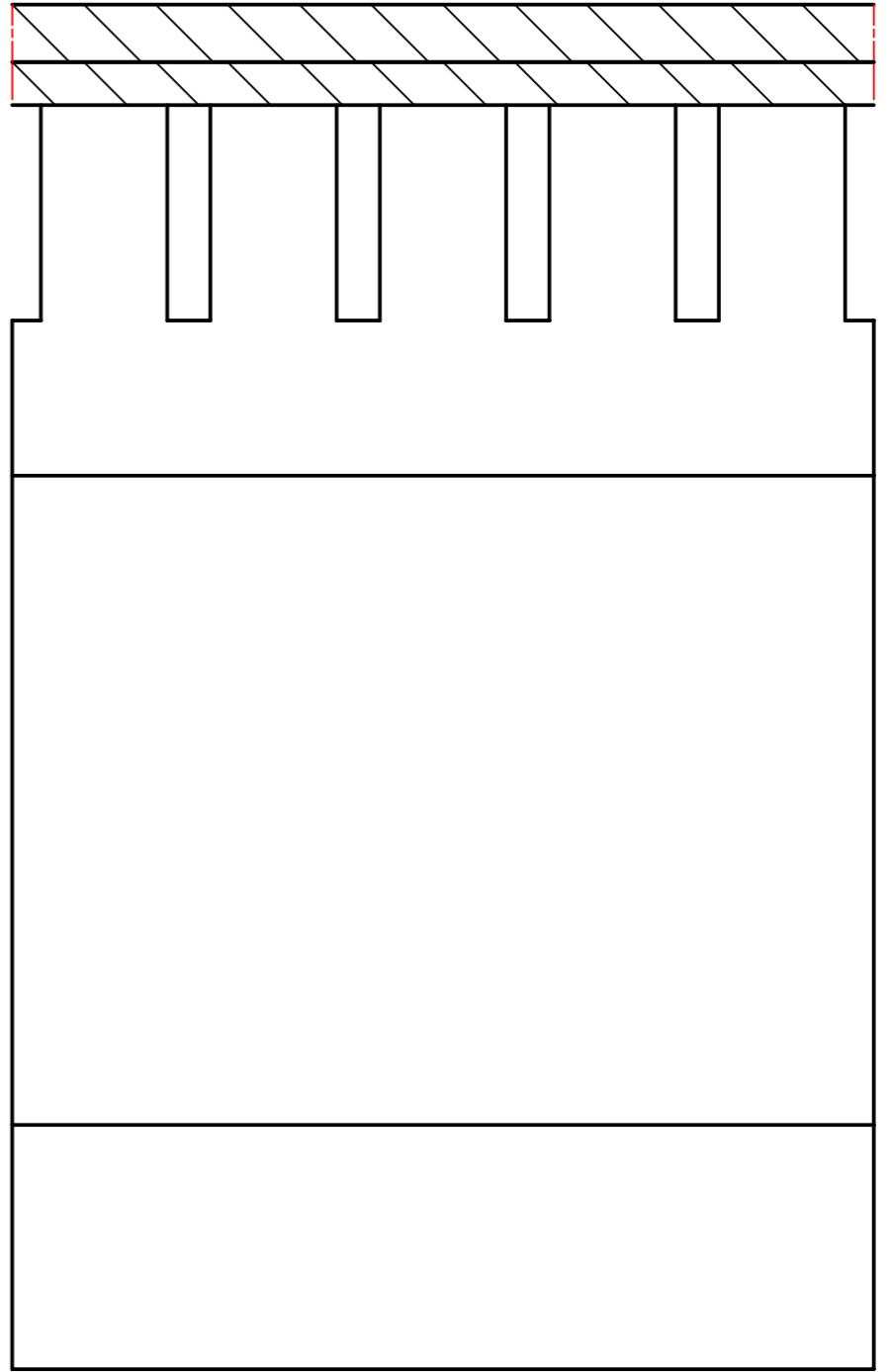


D - D

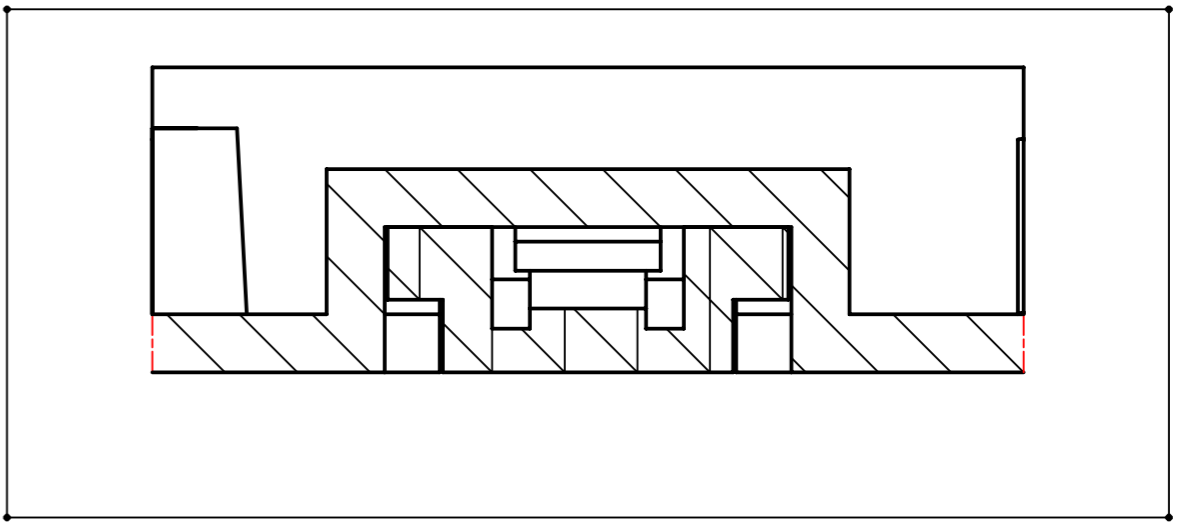




E-E



C



C

