

Starwire Lighting Co., Limited

Product Specifications

NANE: Remote Led Dimmer
MODEL: SW-DM1-R3



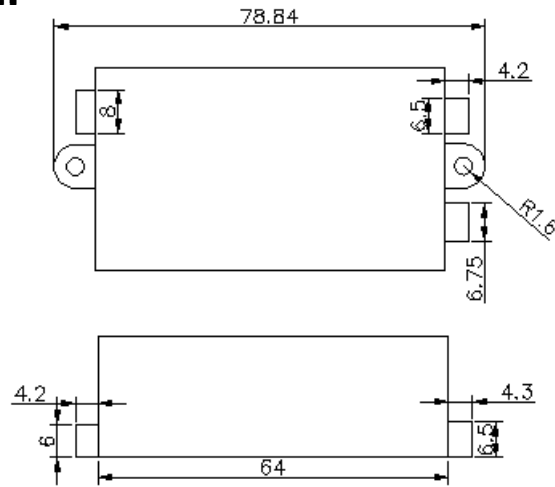
Summarization

Key-press dimmer is a controller that can adjust brightness infinitely, its control mode is key-press control, you could adjust light to the appropriate lighting brightness in accordance with your actual need.

Technical parameters

- working temperature: -20-60 °C
- supply voltage: DC5V, 12V, 18V, 24V < optional > (supply voltage should be marked on order)
- output: 1 channel
- net weight: 100g
- gross weight: 130g
- external dimension: L110 X W56 X H34 mm
- packing size: L122X W85 X H42 mm
- rated load current: <8A
- output power: 5V<40W, 12V<96W, 24V<192W

External Dimension



unit:mm

Interface Specifications

input interface:



output interface:



Direction for use

1. Connect the load wire at first, following by the power wire; **Please ensure short circuit can not occur between connecting wire before you turn on the power;**

2. Adopt key-press control, its function as follows:

△ key is for increasing brightness,

▽ key is for reducing brightness.

Typical Applications

