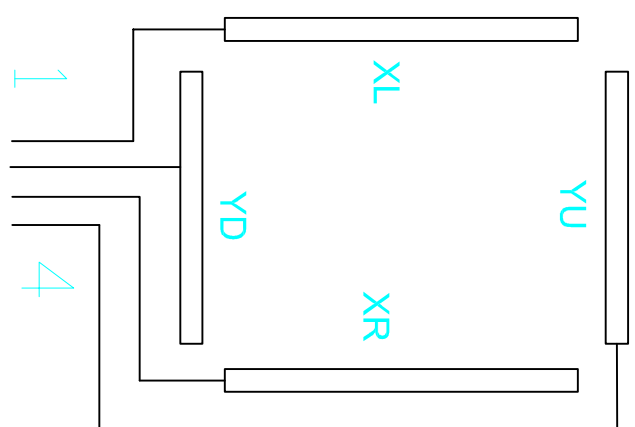
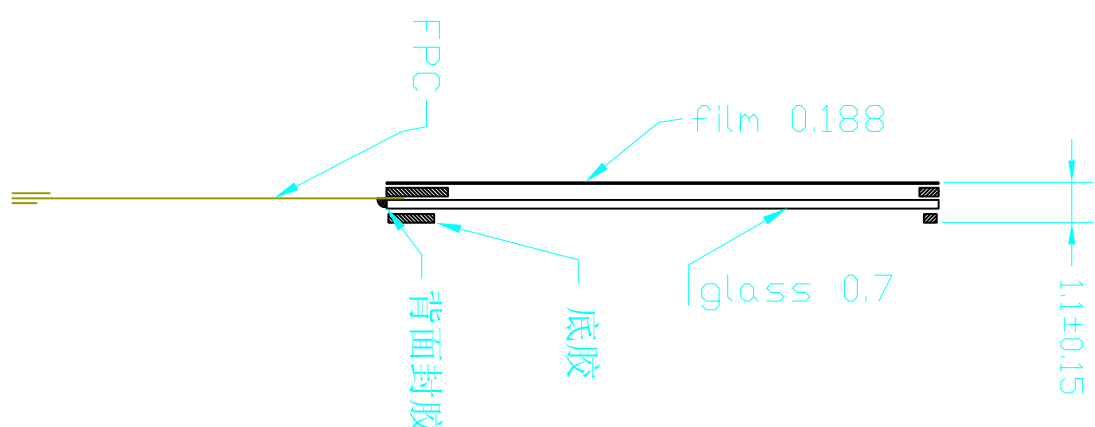
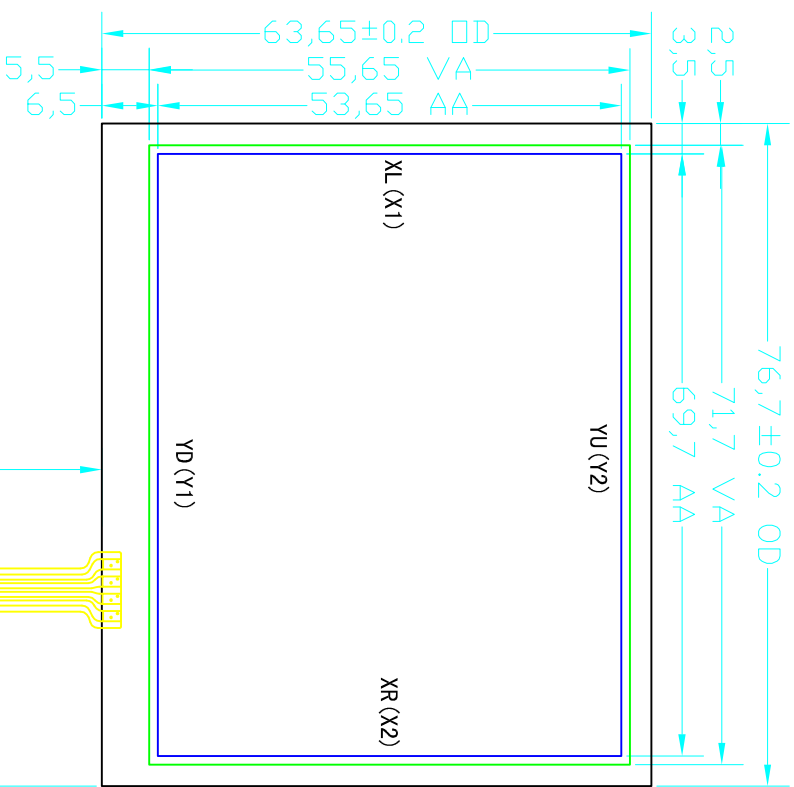
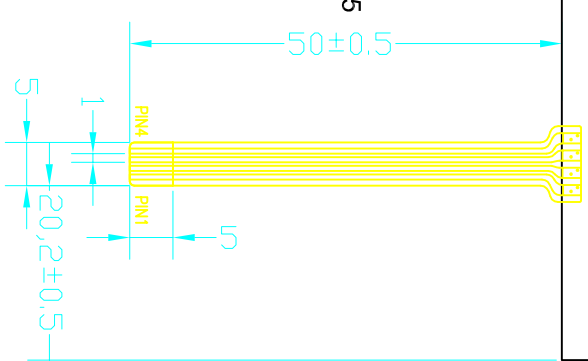


| REV. | DESCRIPTION OF MODIFY | DATE |
|------|-----------------------|------|
|      |                       |      |



| Pin# | Assignment |
|------|------------|
| 1    | XL(X1)     |
| 2    | YD(Y1)     |
| 3    | XR(X2)     |
| 4    | YU(Y2)     |



- SPEC:**
1. ITO Film+ITO Glass+FPC. Thickness:1.10mm ± 0.15
  - ITO Film: High resistance. 0.188mm
  - ITO Glass: High resistance.0.7mm
  - Power supply/(max): DC 5V 1mA
  - Insulative resistance: >=20M OHM@DC 25V
  - Linear tolerance:<=1.5%
  - Transparence: >=80%
  - Operation pressure: 30~100g
  - Touch resistance : 200~900 OHM
  - Hold time :<15ms
  - surface rigidity: 3H
  - Operation temp. : -10° ~+60° .<=90RH
  - Store Temp. : -20° ~+70° .<=90RH
  - Umark tolerance:± 0.2mm

|                        |  |                    |  |                     |  |           |  |
|------------------------|--|--------------------|--|---------------------|--|-----------|--|
| DRAWN BY :             |  | WINCOM             |  | WINCOM TECH CO.,LTD |  |           |  |
| CHECKED BY :           |  | WINCOM             |  | WINCOM TECH CO.,LTD |  |           |  |
| TEL: (0755)26154265    |  | DWG NO. : AD35396H |  | REV: A              |  | SHEET:    |  |
| FAX: (0755)83308659    |  | SIZE:              |  | SCALE:              |  | UNITS: MM |  |
| jiangyao@wincomlcd.com |  |                    |  |                     |  |           |  |