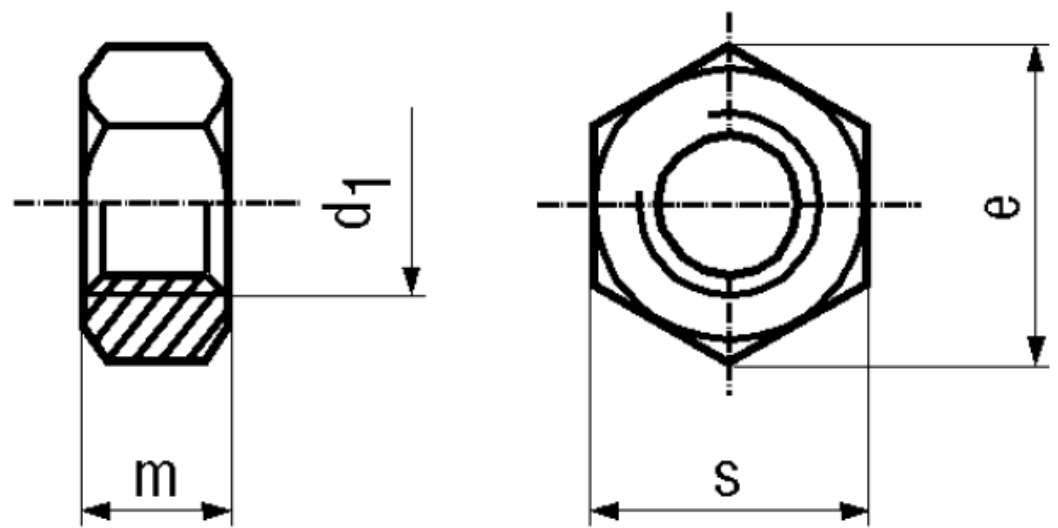


## BN 628 - DIN 934 - ~ISO 4032

Hexagon nuts ~0,8d

DIN 934  
~ISO 4032  
~UNI 5588



Material	<b>Stainless steel</b>	Quality	<b>A2</b>
----------	------------------------	---------	-----------

### Article No. - 1241427

$d_1$	M2,5
e min.	5,45
s	5
m max.	2

DIN 934: Standard withdrawn

Hexagon nuts type 1 ISO 4032: BN 5713 / BN 2586