

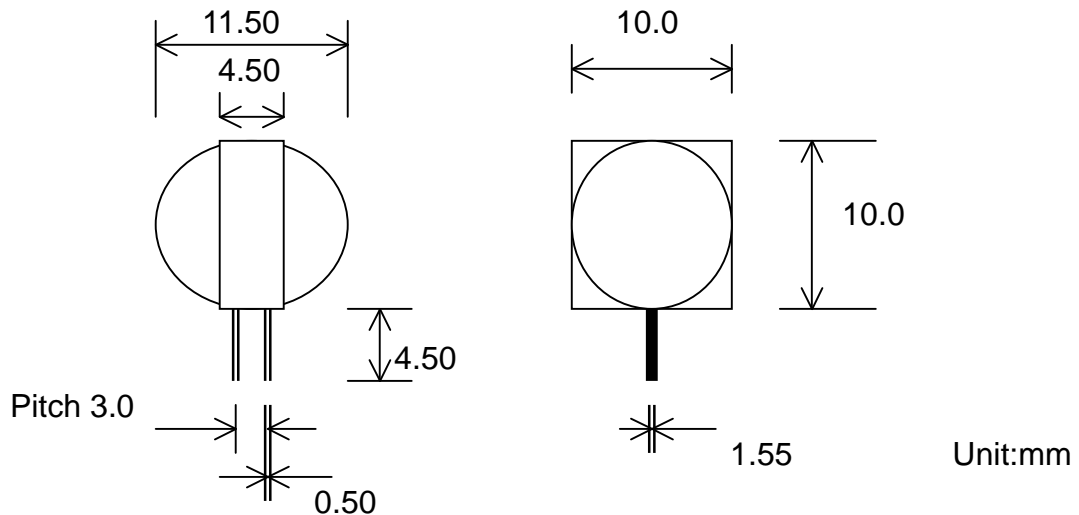
## Shock sensor 102 specification

(patent's product)

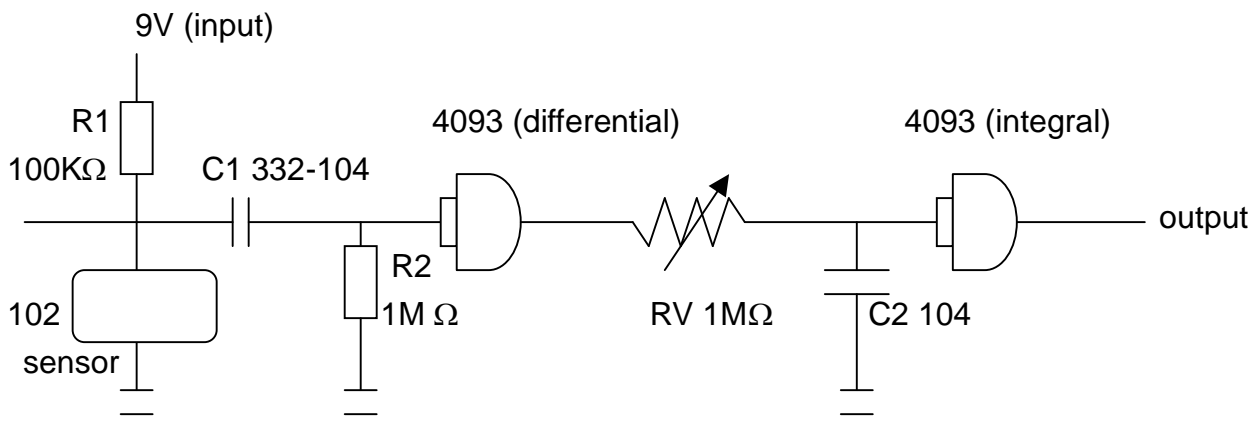
### - Features:

- Wide range shock detecting.
- Non direction limited.
- 12,000,000 times shock guarantee (special gold alloy plated)
- Low cost circuit can adjust Sensitivity.

### - Dimension:



### - Reference circuit:



### Attention:

1. Output must become **square wave**. (Can not use as shock switch!)
2. Take low or high of output square wave into your alarm system and adjust sensitivity from the delay time length.