

4

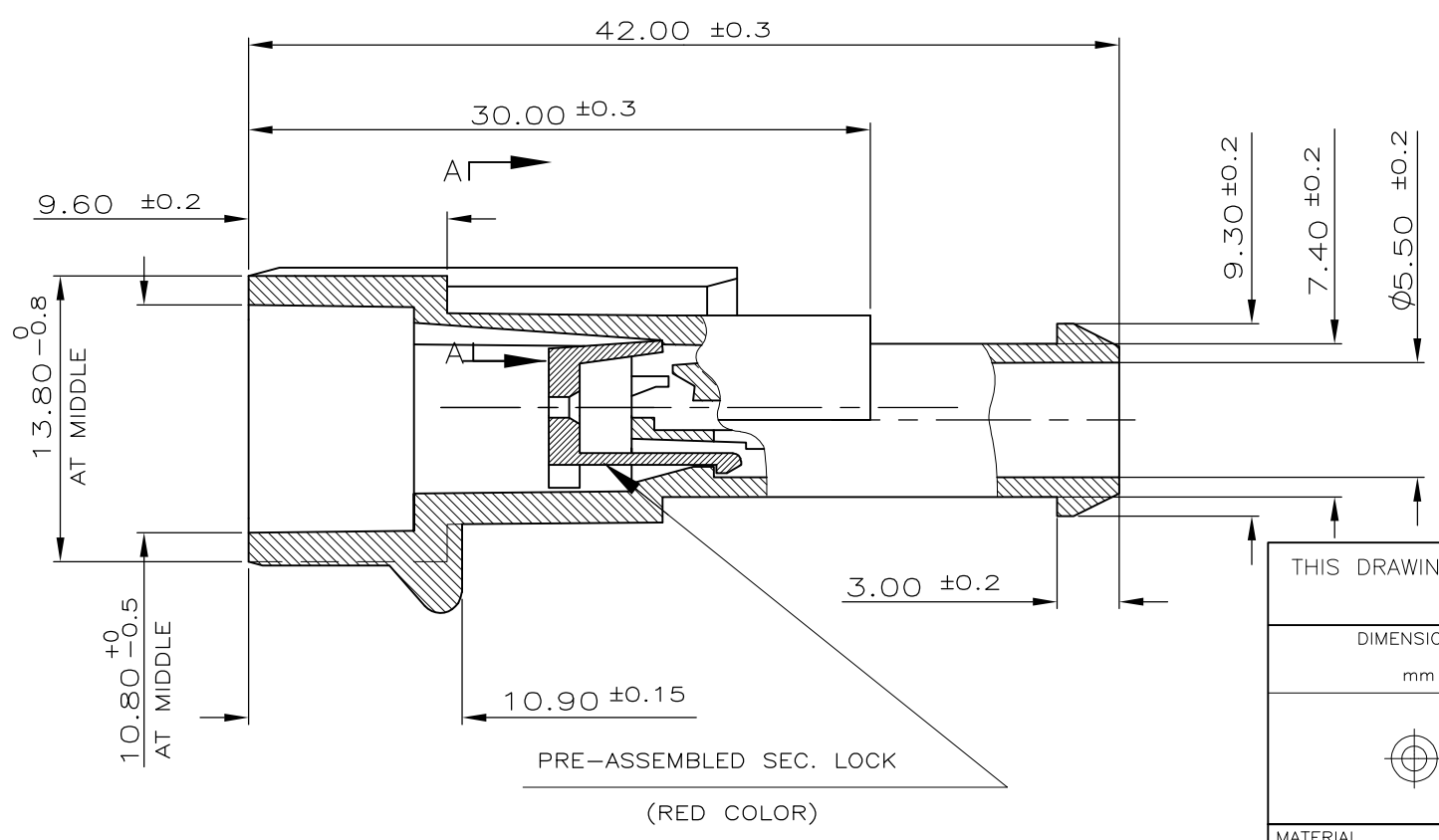
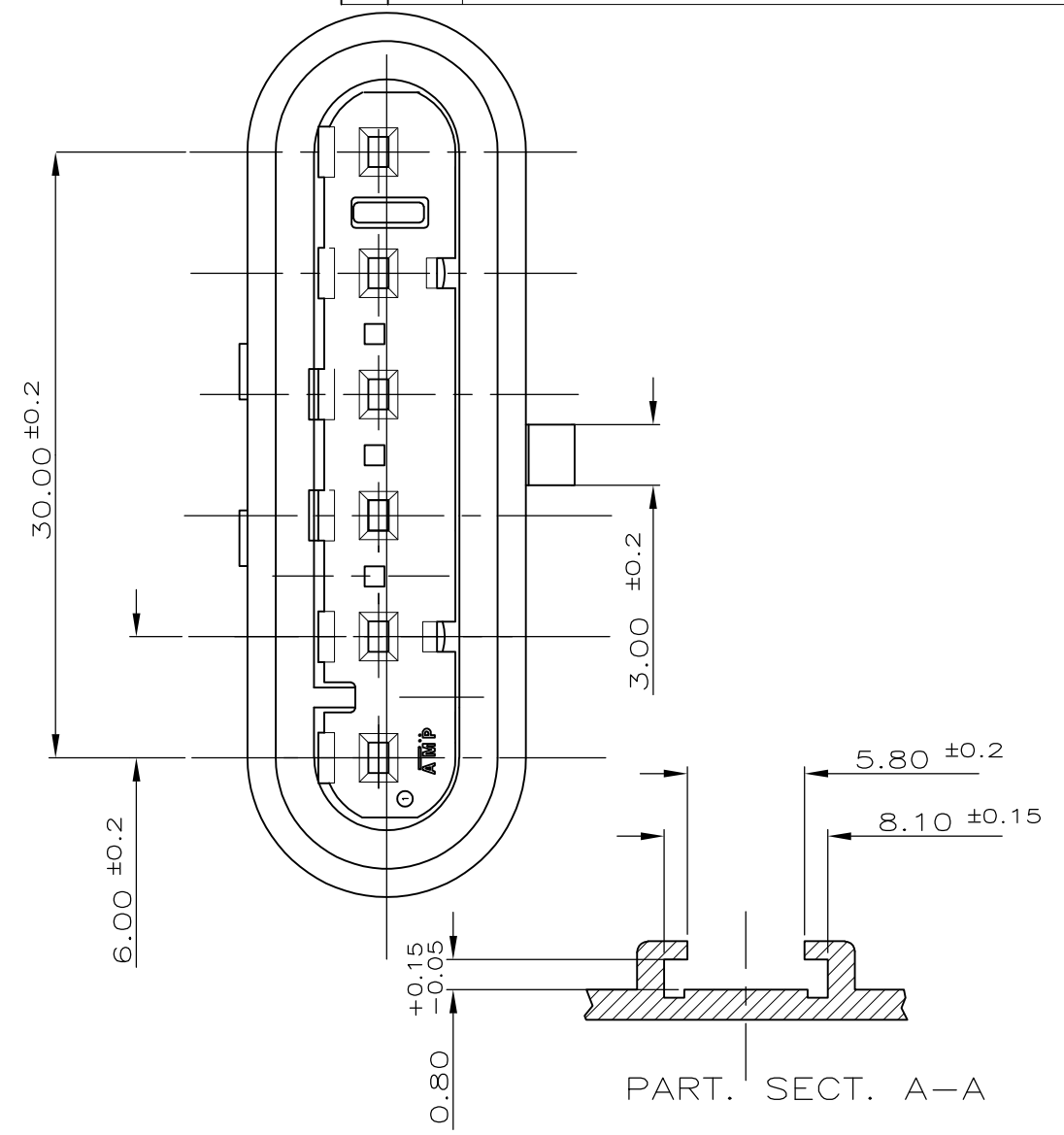
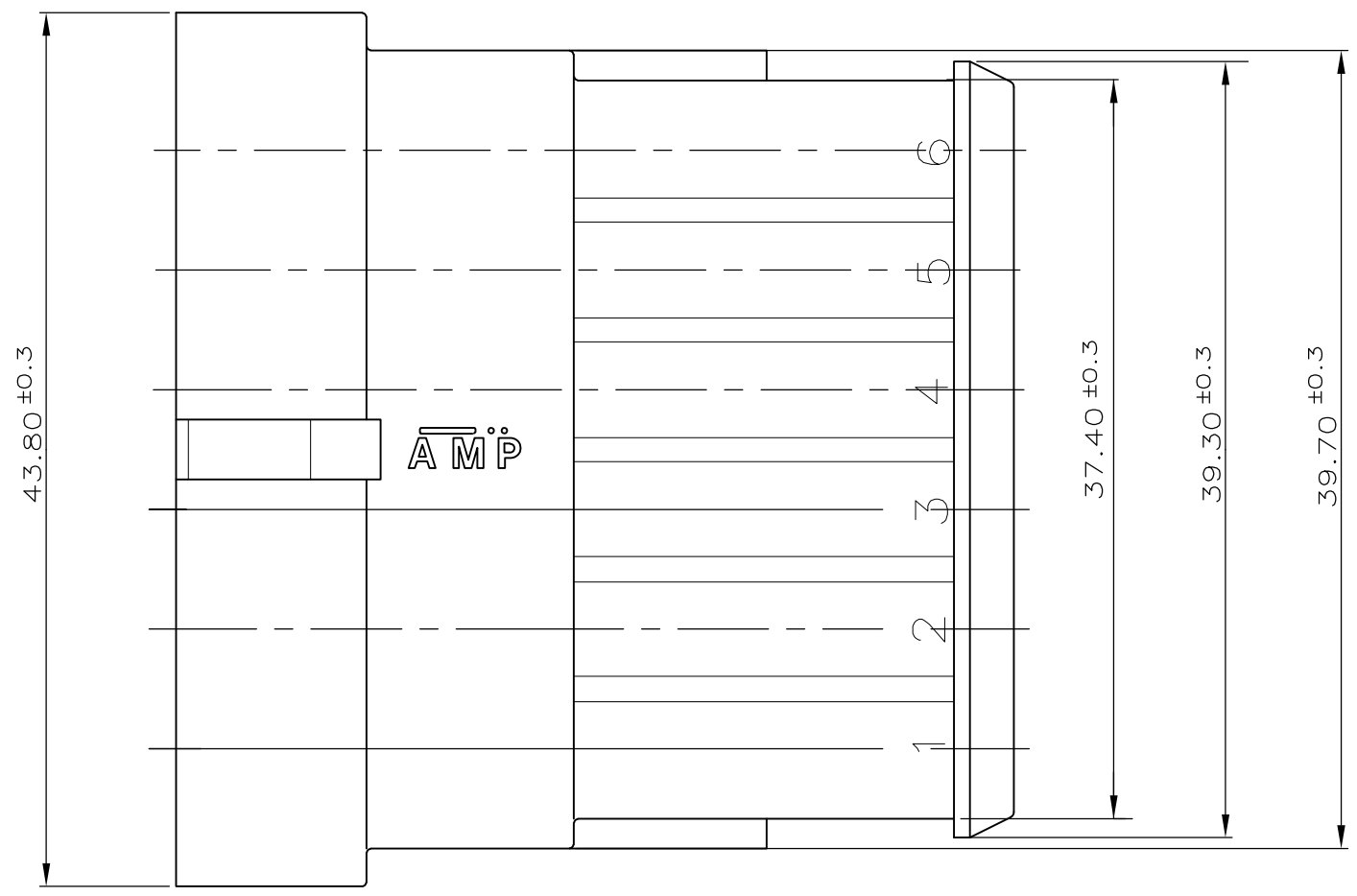
3

2

1

THIS DRAWING IS UNPUBLISHED. RELEASED FOR PUBLICATION  
 © COPYRIGHT - By - ALL RIGHTS RESERVED.

LOC	DIST	REVISIONS			
P	LTR	DESCRIPTION	DATE	DWN	APVD
		C2	REVISED PER ECO-11-005033	13APR11	RK HMR



GREY	G.F. PA66	282108-2
BLACK	G.F. PA66	282108-1
FINITURA / COLORE (FINISH / COLOUR)	MATERIALE (MATERIAL)	NUMERO (PART NUMBER)
CUSTOMER DWG. FOR REFERENCE ONLY		DISEGNO PER CLIENTE SOLO PER RIFERIMENTO

THIS DRAWING IS A CONTROLLED DOCUMENT.		DWN C.BERTINI	2-90	<b>STE</b> TE Connectivity	
DIMENSIONS: mm		CHK A.BRUNI	1/10/92		
TOLERANCES UNLESS OTHERWISE SPECIFIED:		APVD -		NAME	
0 PLC ± -		PRODUCT SPEC -		6 POS TAB ASS'Y	
1 PLC ± 0.3		APPLICATION SPEC -		AMP SUPERSEAL 1.5 SERIES CONNECTORS	
2 PLC ± -		WEIGHT -		SIZE	RESTRICTED TO
3 PLC ± -		CUSTOMER DRAWING		A3	-
4 PLC ± -		SCALE -		CAGE CODE	SHEET
ANGLES ± 2'		SHEET 1 OF 1		00779	REV
FINISH -		DRAWING NO		C-282108	C2
MATERIAL -		RESTRICTED TO -			

DIAM. ISOLANTE (INS. DIA. RANGE)	RANGO FILO (WIRE RANGE)
-	-