

## PIEZO BUZZER

Customer	
Customer P/O	
BeStar Model Name	BPT-380XAC24VDC
Product No.	041019
Issue No.	BS/TEP01.342A
Issue Date	03/8/10

### Approval:

- 1.Characteristic
- 2.Dimension
- 3.Reliability Test
- 4.Packing



BESTAR ELECTRONICS INDUSTRY CO.,LTD

TianAn Industry Park4/F,Site B ChangZhou New District

Tel:86-519-5103228

Fax:86-519-5131010

Http:www.be-star.com

E-Mail:bestarco@pub.cz.jsinfo.net

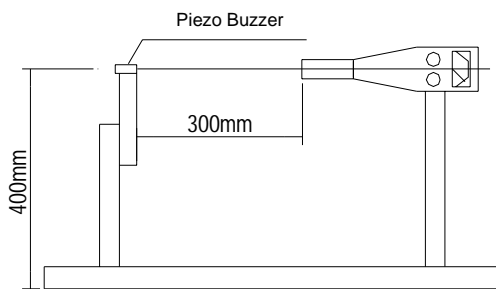
# BPT-380XAC24VDC(BPT-380XAC24)

## 1. Characteristic


### ★Electrical and Mechanical Characteristics

No.	Item	Specifications
1.	Operating Voltage (VDC)	10-28
2.	Rated Voltage (VDC)	24
3.	a) Supply Current (mA)(MAX)	20
4.	a) Sound Pressure Level at 30 cm(dB)(MIN)	95
5.	a) Resonant Frequency(Hz)	2900± 500
6.	@Tone Nature	Continuous
7.	Operating Temperature(° C)	-20...+60
8.	Storage Temperature(° C)	-30...+70
	a) Value applying at rated voltage	
	@ Rated Pulse 3± 20%Hz	

### ★Standard Output Measurement Setup

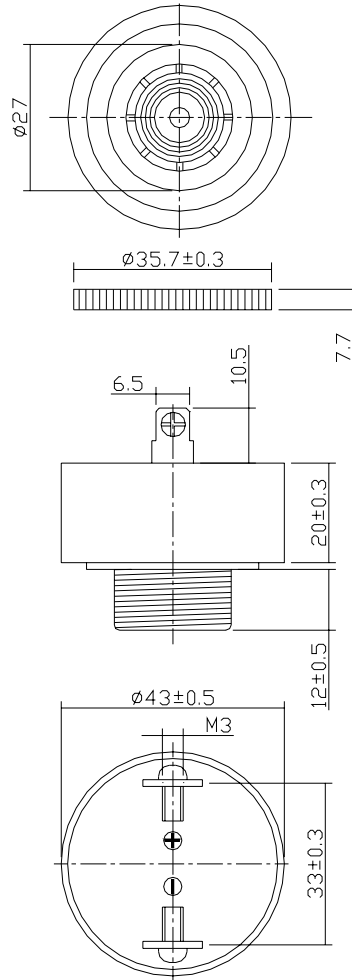


This print and information there in are proprietary to Bestar Electronics Industry Co., Ltd. and shall not be used in whole or in part without its written content

DIS.		DATE		Page:1 of 3 3rd angle projection	BPT-380XAC24VDC
CHEC.		DATE			Piezo Buzzer
APPR.		DATE			DRG NO BS/TEP01.342A
 <b>BESTAR ELECTRONICS INDUSTRY CO.,LTD</b> TianAn Industry Park 4/F,Site B ChangZhou New District E-Mail:bestarco@ pub.cz.jsinfo.net Http:www.be-star.com					

# BPT-380XAC24VDC(BPT-380XAC24)

## 2. Dimension



This print and information there in are proprietary to Bestar Electronics Industry Co., Ltd. and shall not be used in whole or in part without its written content

DIS.		DATE		Page:2 of 3	BPT-380XAC24VDC
CHEC.		DATE		3rd angle projection	Piezo Buzzer
APPR.		DATE			
 <b>BESTAR ELECTRONICS INDUSTRY CO.,LTD</b> TianAn Industry Park 4/F,Site B ChangZhou New District E-Mail:bestarco@ pub.cz.jsinfo.net Http:www.be-star.com				DRG NO BS/TEP01.342A	

# BPT-380XAC24VDC(BPT-380XAC24)

## 3. Reliability test

### 3.1 high temperature test

Temperature +70° C  
Duration 96hrs

### 3.2 low temperature test

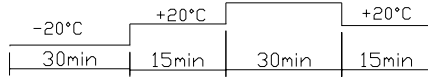
Temperature -30° C  
Duration 96hrs

### 3.3 life test in normal temperature

Power supply 24V  
Duration 500hrs

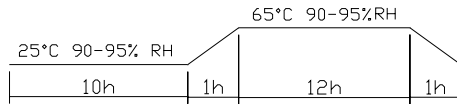
### 3.4 temperature cycle test

Cycles 5



### 3.5 Humidity cycle test

Cycles 5



all these tests above should be measured after leaving normal temperature for 2hrs.

### 3.6 Drop test

Height 70cm  
(to 10mm thickness woodenboard)  
Direction 3

Notice: All specification must be satisfied in this condition.

## 4.Packing

4.1 Packing Quantity :1pcs per small box  
250pcs per carton  
carton size 49x25x30cm,

This print and information there in are proprietary to Bestar Electronics Industry Co., Ltd. and shall not be used in whole or in part without its written content

DIS.		DATE		Page:3 of 3 3rd angle projection	BPT-380XAC24VDC
CHEC.		DATE			Piezo Buzzer
APPR.		DATE			
 <b>BESTAR ELECTRONICS INDUSTRY CO.,LTD</b> TianAn Industry Park 4/F,Site B ChangZhou New District E-Mail:bestarco@ pub.cz.jsinfo.net Http:www.be-star.com					DRG NO BS/TEP01.342A