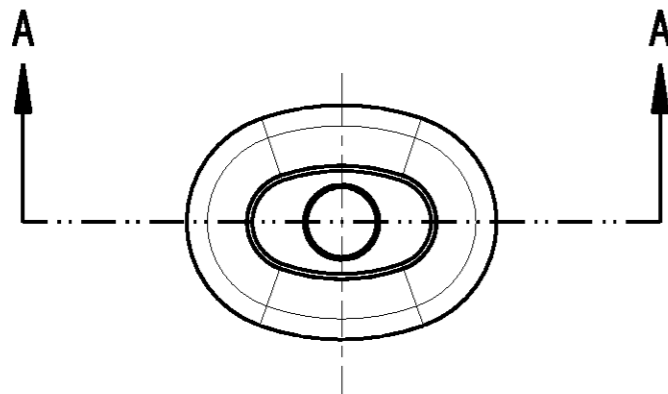


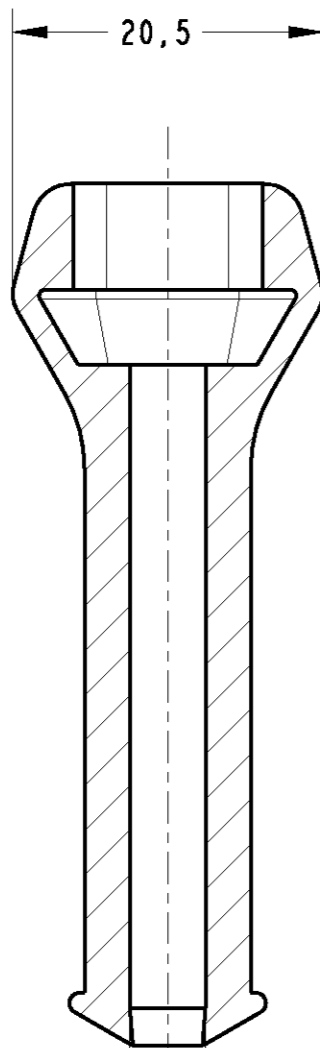
THIS DRAWING IS UNPUBLISHED. RELEASED FOR PUBLICATION

© COPYRIGHT 19 BY TYCO ELECTRONICS CORPORATION. ALL RIGHTS RESERVED.

LOC	DIST	REVISIONS					
		P	LTR	DESCRIPTION	DATE	DWN	APVD
AP	-			0 RELEASE	10JUN99	MLO	PLF
				AI REVISED BY EC 237/99	30JUN99	PLF	MLO
				B REVISED BY ECR-05-008964	15AUG2005	MAS	PLF



20,5



Ø 4,6
Ø 5,0

SECTION A-A

ⓑ $\triangle 1$ - ELASTÔMERO SAE J200, 2BC 414, A14, B14, C12, E014, F17, Z1
Z1=RESISTÊNCIA RASGO, ASTM D624 - 20kg/cm MIN.

ⓑ $\triangle 2$ - ELASTÔMERO SAE J200, 2BC 514, A14, B14, C12, E014, F17, Z1
Z1=RESISTÊNCIA RASGO, ASTM D624 - 20kg/cm MIN.

$\triangle 1$ -ELASTOMER SAE J200, 2BC 414, A14, B14, C12, E014, F17, Z1
Z1= TEAR RESISTANCE, ASTM D624 -20kg/cm MIN.

$\triangle 2$ -ELASTOMER SAE J200, 2BC 514, A14, B14, C12, E014, F17, Z1
Z1= TEAR RESISTANCE, ASTM D624 -20kg/cm MIN.

FINISH	HARDNESS	MATERIAL	PART NUMBER
PRETO/BLACK	40±5 SHORE A	ELASTOMER $\triangle 1$	880810-2
PRETO/BLACK	50±5 SHORE A	ELASTOMER $\triangle 2$	880810-1

THIS DRAWING IS A CONTROLLED DOCUMENT FOR TYCO ELECTRONICS CORPORATION. IT IS SUBJECT TO CHANGE AND THE CONTROLLING ENGINEERING ORGANIZATION SHOULD BE CONTACTED FOR THE LATEST REVISION.

DIMENSIONS: mm	TOLERANCES UNLESS OTHERWISE SPECIFIED: 0 PLC ±0,3 1 PLC ±0,3 2 PLC ±0,3 3 PLC ±0,3 4 PLC ±0,3 ANGLES ±P	DWN M.L. OGAWA 09JUN99	 AMP do Brasil LTDA. São Paulo, Brasil
		CHK P.L. FARIA 10JUN99	
		APVD J.M.M. NETO 10JUN99	
MATERIAL SEE TABLE	FINISH SEE TABLE	PRODUCT SPEC -	NAME COVER CAP 2 POSN
		APPLICATION SPEC -	SIZE A3
		WEIGHT -	CAGE CODE 00779
			DRAWING NO C=880810
			RESTRICTED TO -
			SCALE 2:1
			SHEET 1
			OF 1
			REV B

CUSTOMER DRAWING

DO NOT REVISE EXCEPT BY CAD