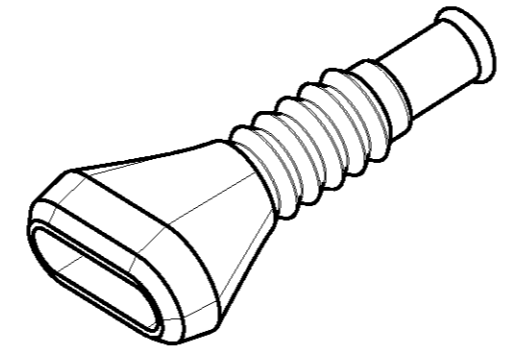
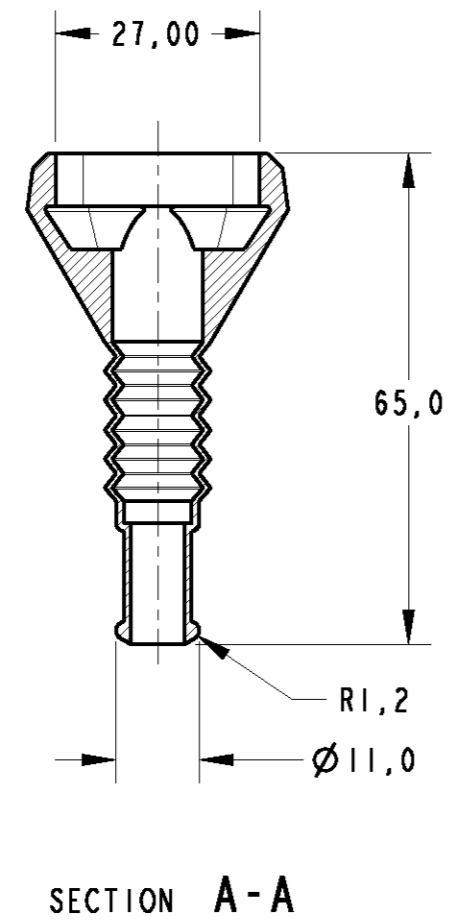
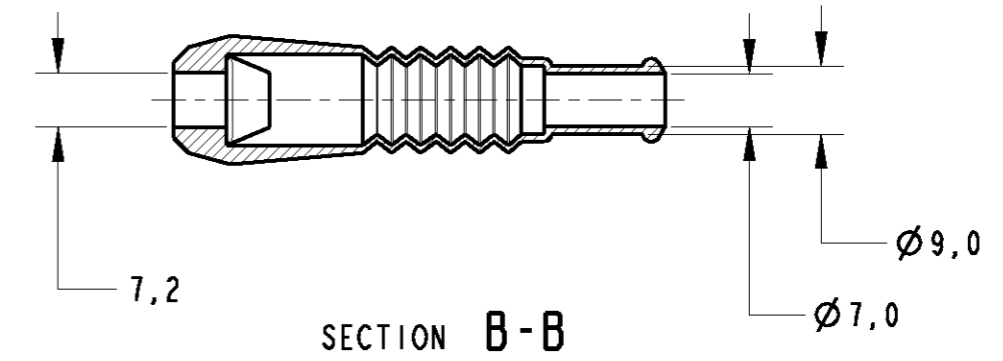
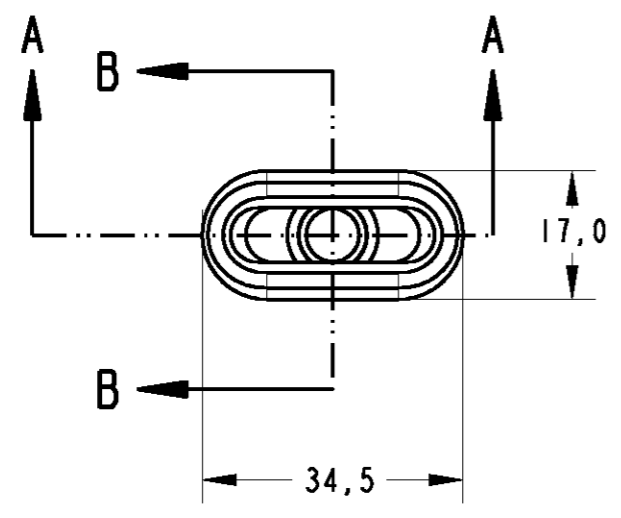


THIS DRAWING IS UNPUBLISHED. RELEASED FOR PUBLICATION .19 .
 © COPYRIGHT 19 BY AMP INCORPORATED. ALL RIGHTS RESERVED.

LOC	DIST	REVISIONS			
P	LTR	DESCRIPTION	DATE	DWN	APVD
AP	-	0	WAS 98-29092-001	-	AP PLF
		A	REVISED BY ECR-05-008986	29AUG2005	DCB PLF

CAD
 DO NOT REVISE
 EXCEPT BY CAD



PERSPECTIVE VIEW

- Ⓐ 1 - ELASTÔMERO SAE J 200 M 2BC 514, A14, B14, C12, E014, F17
 - ELASTOMER SAE J 200 M 2BC 521, A14, B14, C12, E014, F17
- Ⓐ 2 - TOLERÂNCIA PARA REBARBAS / FLASH TOLERANCE:
 COMPRIMENTO EXTERNO / OUTSIDE HEIGHT - 0,4mm MAX.
 COMPRIMENTO INTERNO / INSIDE HEIGHT - 0,05mm MAX.
- Ⓐ 3 - USADO NO CONECTOR 282106-1, OU SIMILAR
 - USED ON CONNECTOR 282106-1, OR SIMILAR

—	PRETO/BLACK	Ⓐ	493581-1
RAW MAT'L NO.	FINISH	MATERIAL	PART NUMBER

THIS DRAWING IS A CONTROLLED DOCUMENT FOR AMP INCORPORATED. IT IS SUBJECT TO CHANGE AND THE CONTROLLING ENGINEERING ORGANIZATION SHOULD BE CONTACTED FOR THE LATEST REVISION.		DWN A. PERUSSI 03SEP98	AMP AMP do BRASIL LTDA. São Paulo, Brasil	
DIMENSIONS: mm		CHK P.L.FARIA	NAME	
TOLERANCES UNLESS OTHERWISE SPECIFIED: 0 PLC ±0,5 1 PLC ± 2 PLC ± 3 PLC ± 4 PLC ± ANGLES ±1°		APVD J.M.M.NETO	PRODUCT SPEC	
MATERIAL SEE TABLE		FINISH SEE TABLE	APPLICATION SPEC	
		WEIGHT -	SIZE A3	CAGE CODE 00779
			DRAWING NO. 493581	
			RESTRICTED TO	
		CUSTOMER DRAWING		SCALE OF REV A