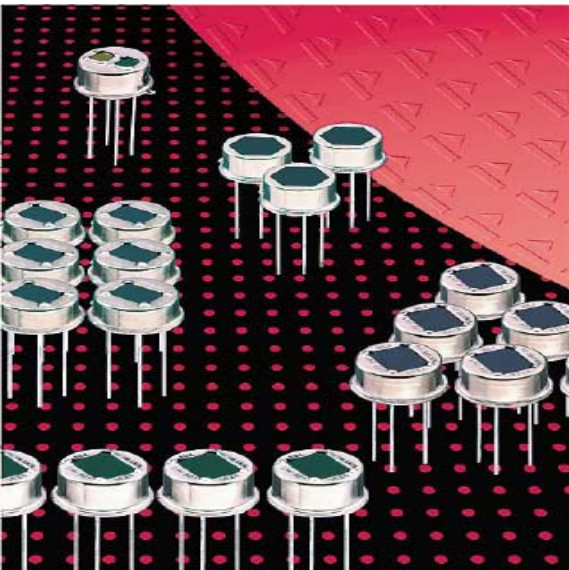


Ceiling Application Detector LHI 1128



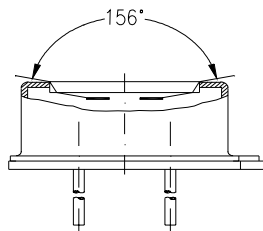
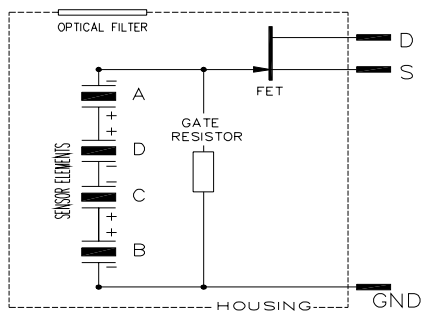
Four Element Detector

Single FET Output

Designed for Ceiling Mount Applications

The **LHi 1128** pyroelectric infrared detector is a special design for motion control in ceiling mount applications. It includes a Quad type pyroelectric ceramic with 4 sensitive elements connected to one FET in source follower connection. Thus it offers a single channel output .

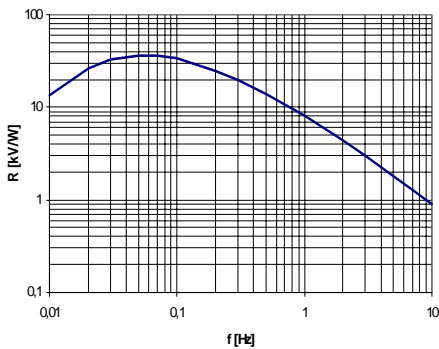
The **LHi 1128** detector is available in **TO-5** housing with infrared filter. It offers excellent common mode performance (match) and low noise.



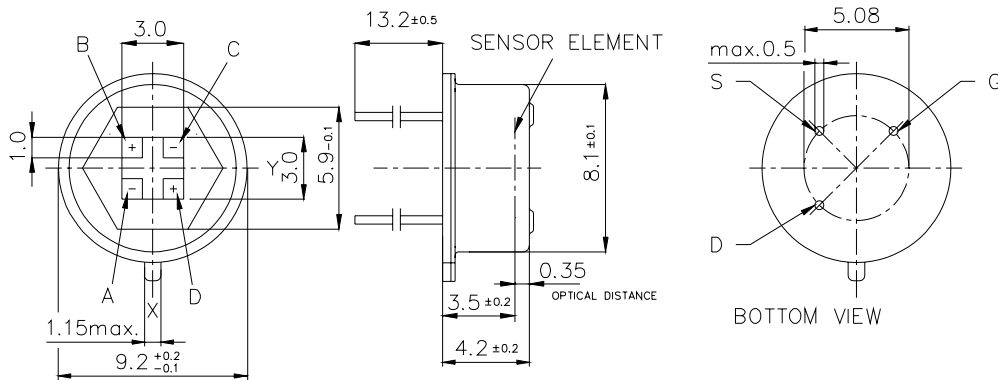
Field of View

Parameters	LHi 1128				
	min	typical	max	units	condition
Element size	1x1			mm ²	(4 elements)
Responsivity	6 000	8 000		V/W	100°C, 1 Hz
Match		1	10	%	
Noise		40	100	µVpp	25°C, 0,3...10Hz
Offset Voltage	0,2		1,55	V	R _s =47kΩ, 25°C
NEP		7,5x10 ⁻¹⁰	28x10 ⁻¹⁰	W √Hz	1Hz Bw, 100°C, 1 Hz
D*	5x10 ⁻⁷	19x10 ⁻⁷		cm √Hz/W	1Hz Bw, 100°C, 1 Hz
Output Impedance		5	10	kΩ	R _s =47kΩ, 25°C
Operating Voltage	2		15	V	R _s =47kΩ, 25°C
Field of View, horizontal		156°			unobstructed
vertical		144°			unobstructed
Operating Temp.	-40		85	°C	non permanent
Storage Temperature	-40		85	°C	non permanent

Right for modification reserved / WS / 29.6.2001



Frequency Response



Dimensions in mm

Europe:
PerkinElmer Optoelectronics GmbH
 Wenzel Jaksch Str 31
 Wiesbaden / Germany
 Phone +49(0)611 492 0
 Fax +49(0)611 492 170

USA:
PerkinElmer Optoelectronics
 2175 Mission College Blvd
 Santa Clara, CA 95054
 Phone +408 565 0830
 Fax +408 565 0703

Asia:
PerkinElmer Optoelectronics
 47, Ayer Rajah Crescent #06-12
 Singapore 139947
 Phone +65 775 2022
 Fax +65 775 1008

