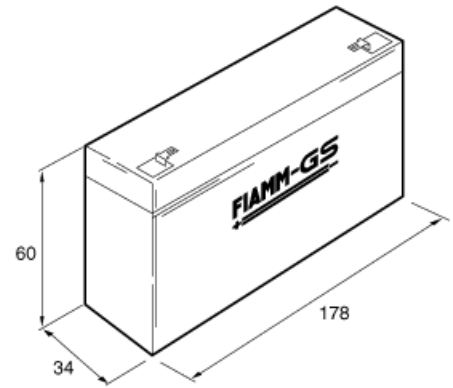


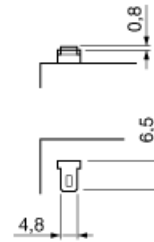
Performance Specification for battery type FG 20201

Nominal Voltage	12 Volts
Nominal Capacity	
at 20 hour rate (100 mA to 10,5 Volts)	2,0 Ah
at 10 hour rate (190 mA to 10,5 Volts)	1,9 Ah
at 5 hour rate (320 mA to 10,2 Volts)	1,6 Ah
at 1 hour rate (1,17 A to 9,0 Volts)	1,17 Ah
Dimensions (mm)	Length=178, Width=34, Height=60
Approximate weight	890 g
Energy Density	66.1 Wh/l
Specific Energy	26.7 Wh/kg
Internal Resistance (Fully charged battery)	65 mΩ
Maximum discharge current in 1 minute discharge	12 A
Maximum discharge current in 5 seconds discharge	30 A
Recommended charging tension (temperature=20°C)	
floating use: 13,5-13,8 V	cyclic use: 14,4-15,0 V
Thermal compensation factor	
floating use: -18mV/°C	cyclic use: -30mV/°C
Maximum charging current	0,5 A
Terminals	Flat lug type 4,8 mm
Vibration Test (2000 cycles/minute, 2,55 mm excursion, 2 hours)	No loss in capacity or performance
Shelf life - % of nominal capacity at 20°C	
1 Month	97%
3 months	91%
6 months	83%
Storage temperature	-20°C to 40°C
Operative temperature Range	
Charge	0° C to 40°C
Discharge	-20°C to 50°C
Case material	Acrylonitrile-Butadiene-Styrene
	Standard Case: According to UL-94 HB
	Also Available: According to UL-94 V0
Life Expectancy (Stand-by)	3 to 5 years according to Eurobat standards

Battery dimensions (mm)



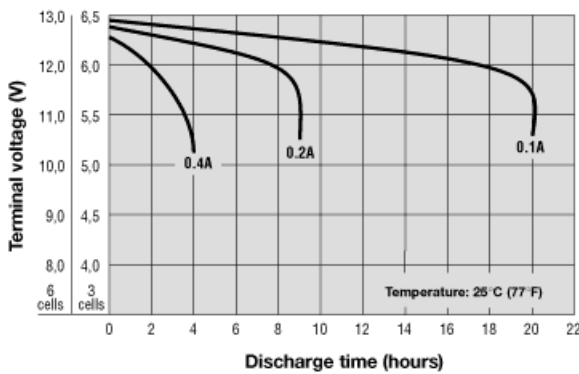
Terminal type



Constant Current Discharge Table (Ampere)

Time	5'	10'	15'	20'	30'	45'	1h	2h	3h	5h	10h	20h
1,8V/Cell	6,9	4,6	3,5	2,9	2,2	1,60	1,28	0,74	0,53	0,35	0,19	0,11
1,75V/Cell	7,3	4,8	3,6	3,0	2,2	1,62	1,29	0,74	0,53	0,35	0,19	0,11
1,7V/Cell	7,9	5,0	3,7	3,0	2,2	1,64	1,31	0,75	0,54	0,35	0,20	0,11
1,65V/Cell	8,1	5,0	3,8	3,0	2,2	1,64	1,31	0,75	0,54	0,35	0,20	0,11
1,6V/Cell	8,3	5,1	3,8	3,1	2,3	1,65	1,32	0,75	0,54	0,35	0,20	0,11

Discharge time vs. discharge current



Discharge time vs. discharge current

