

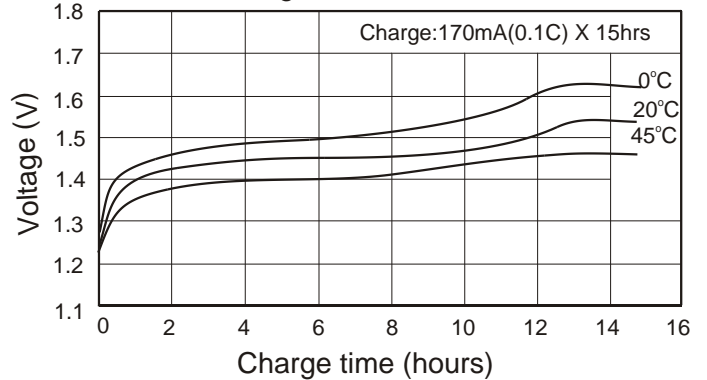
# TYPE: D-Sc1700P(KR23/43)

## Specifications

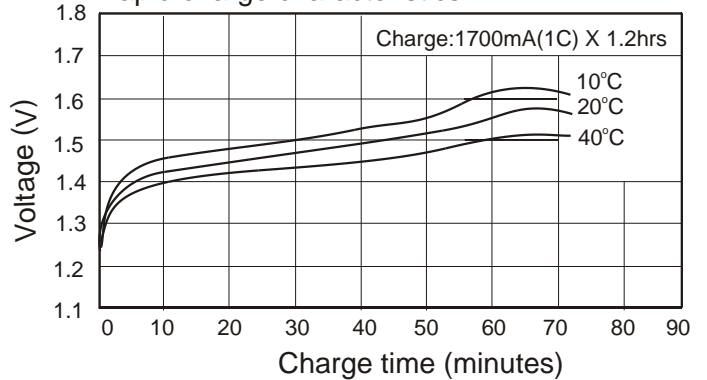
Nominal voltage		1.2V	
Capacity <sup>1</sup>		0.2C Discharge	1C Discharge
	Minimum	1700mAh <sup>2</sup>	1530mAh
	Typical <sup>3</sup>	1850mAh	1700mAh
Dimensions		mm	inch
	Diameter	23.0 <sup>0</sup> <sub>-1.0</sub>	0.906 <sup>0</sup> <sub>-0.039</sub>
	Height	43.0 <sup>0</sup> <sub>-1.0</sub>	1.693 <sup>0</sup> <sub>-0.039</sub>
Weight <sup>4</sup>		Grams	Ounces
		49	1.73
Internal impedance <sup>4</sup> at 1000Hz.		10m $\Omega$ <sub>s</sub> (After charge)	
Charge	Standard	170mA(0.1C) X 15hrs	
	Rapid	1700mA(1C) X 1.2hrs	
Ambient temperature	Charge		°C
		Standard	0°C to 45°C
	Rapid	10°C to 40°C	
	Discharge		°F
		Standard	32°F to 113°F
Storage		50°F to 104°F	
		-20°C to 65°C	-4°F to 149°F
		-20°C to 45°C	-4°F to 113°F

## Typical characteristics

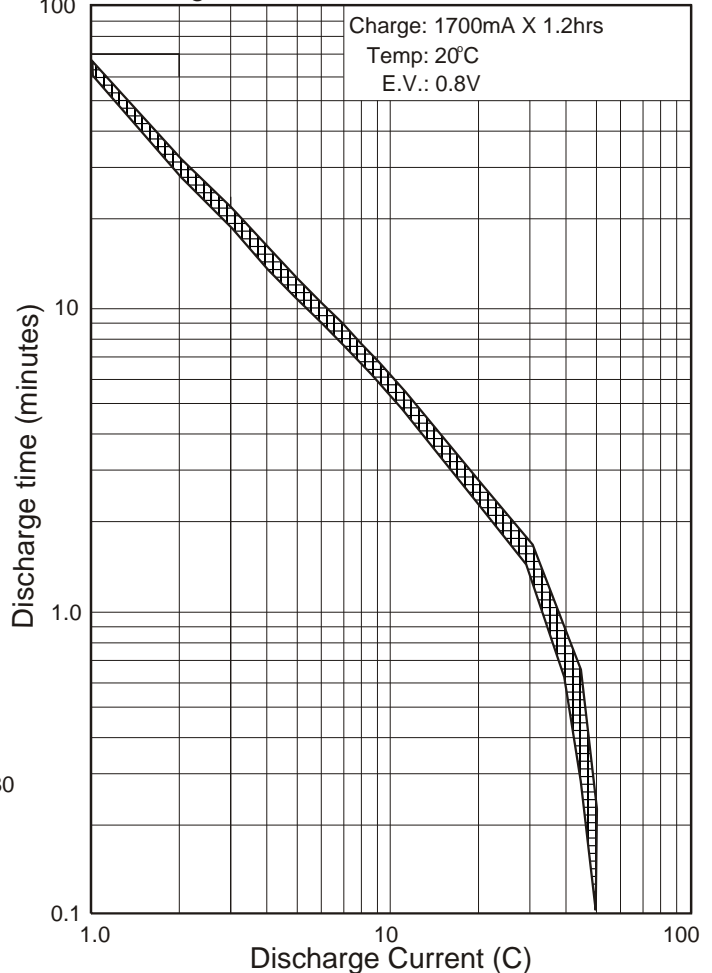
### Standard charge characteristics



### Rapid charge characteristics

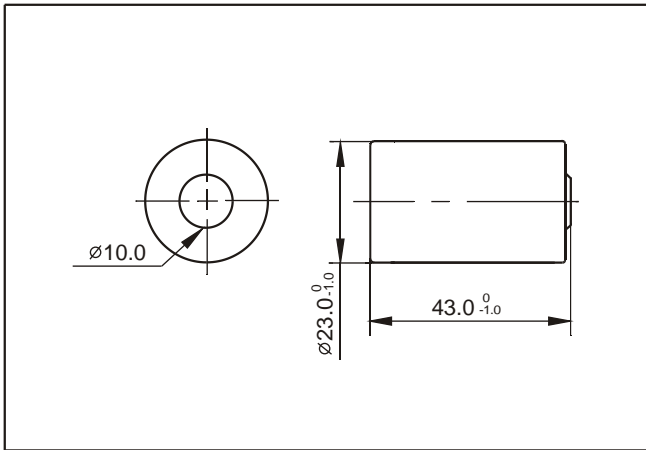


## Discharge characteristics

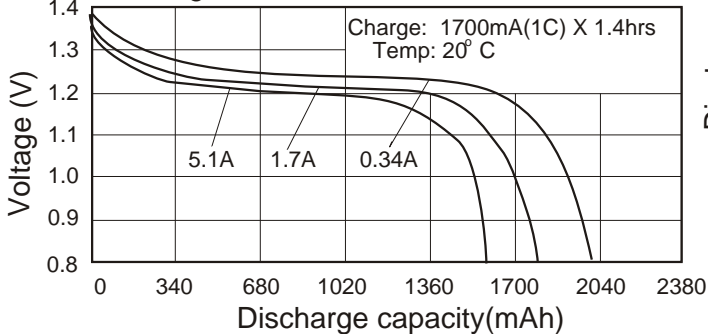


## Dimensions(with tube)

(mm)



## Discharge characteristics



Note:

1. After charging at 0.1C for 15 hours.
2. Nominal capacity, rated at 0.2C, 20°C
3. Average capacity. For reference only.
4. Weight and internal impedance are for reference.