



**OSHINO LAMPS**  
Lighted Products since 1931

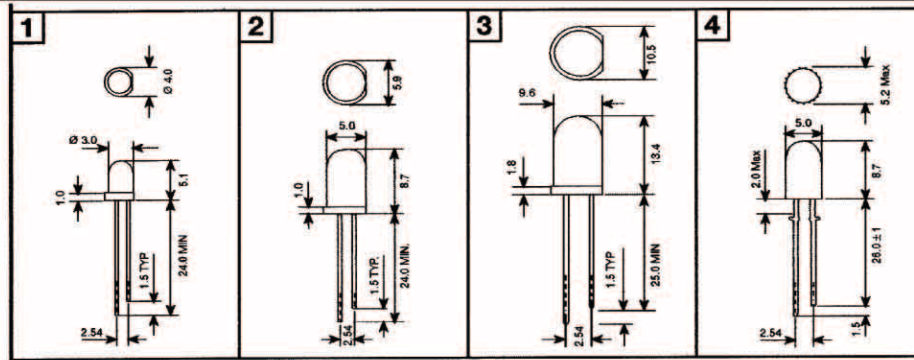
**Your Partner for Lighted Products**



<b>3 mm</b>								
Part No.	chromaticity coordinates	Iv [mcd]		radiation angle 2 φ ½	chip construction	forward volt. typ. [V]	case color	outline
		min	typ.					
ESW 30030	x 0.30 / y 0.30	1600	2800	25	GaN	3.5	waterclear	fig. 1
ESW 30450	x 0.30 / y 0.30	350	600	60	GaN	3.5	white, diffused	fig. 1
SUW 30030	x 0.30 / y 0.30	3000	5000	30	GaN	3.5	waterclear	fig. 1

<b>5 mm</b>								
Part No.	chromaticity coordinates	Iv [mcd]		radiation angle 2 φ ½	chip construction	forward volt. typ. [V]	case color	outline
		min	typ.					
SUW 50010	x 0.30 / y 0.30	10000	17000	15	GaN	3.5	waterclear	fig. 2
SUW 50020	x 0.30 / y 0.30	4000	5500	15	GaN	3.5	waterclear	fig. 2
SUW 50040	x 0.30 / y 0.30	3000	5000	40	GaN	3.5	waterclear	fig. 2
ESW 50430	x 0.30 / y 0.30	550	1000	60	GaN	3.5	white, diffused	fig. 2

<b>10 mm</b>								
Part No.	chromaticity coordinates	Iv [mcd]		radiation angle 2 φ ½	chip construction	forward volt. typ. [V]	case color	outline
		min	typ.					
SUW 11010	x 0.30 / y 0.30	25000	45000	6	GaN	3.6	waterclear	fig. 3



Note: 1. All dimension are in millimeter tolerance is +0.25mm unless otherwise noted.  
2. Specifications are subject to change without notice.

**OSHINO LAMPS GmbH**

Discrete LED serie 3 - 5 - 10 mm  
**WHITE**

www.oshino-lamps.de

© OSHINO LAMPS GmbH

Ref.: LED 700 /15

Änderung: **K**

Datum: 28.02.05

Name: hw

Gez.: HW

Gepr.: KH

Datum: 19. Jul 00