

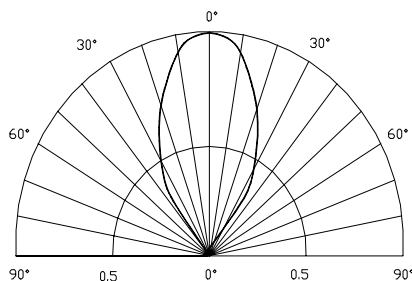
■Features

- High Power LEDs
- 5mm Standard Directivity
- Superior Weather-resistance
- UV Resistant Epoxy
- Water Clear Type

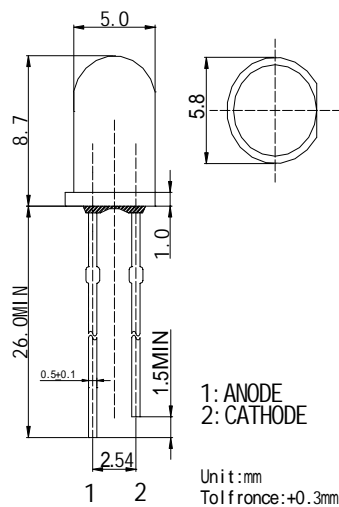
■Applications

- General Purpose Indicators
- Small Area Illuminations
- Back Lighting

■Directivity



■Outline Dimension

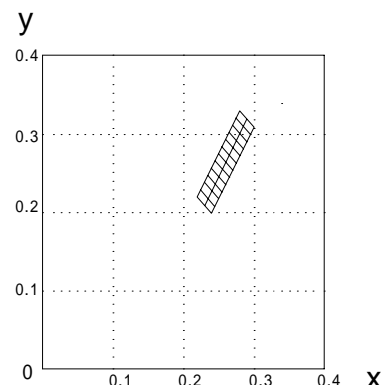


■Absolute Maximum Rating (Ta=25)

Item	Symbol	Value	Unit
DC Forward Current	I_F	30	mA
Pulse Forward Current*	I_{FP}	100	mA
Reverse Voltage	V_R	5	V
Power Dissipation	P_D	120	mW
Operating Temperature	T_{opr}	-30~+80	
Storage Temperature	T_{stg}	-30~+100	
Lead Soldering Temperature	T_{sol}	260 /3sec	-

*Pulse width Max.10ms Duty ratio max 1/10

色度等級分類/Chromaticity Ranks



■Electrical -Optical Characteristics (Ta=25)

Item	Symbol	Condition	Min.	Typ.	Max.	Unit
DC Forward Voltage	V_F	$I_F=20mA$	2.8	3.4	4.0	V
DC Reverse Current	I_R	$V_R=5V$	-	-	10	uA
Luminous Intensity	I_v	$I_F=20mA$	3000	4200	5800	mcd
Chromaticity Coordinate*	Item		Bottom	Left	Top	Right
	x	$I_F=20mA$	0.24	0.22	0.28	0.30
	y	$I_F=20mA$	0.20	0.22	0.33	0.31
50% Power Angle	$2\theta_{1/2}$	$I_F=20mA$	-	60	-	deg

*Please refer to CIE 1931 chromaticity diagram.

Rank	Chromaticity		Rank	Chromaticity	
	x	y		x	y
A1	0.24	0.20	A2	0.23	0.21
	0.23	0.21		0.22	0.22
	0.25	0.275		0.24	0.26
	0.26	0.283		0.25	0.28
B1	0.26	0.283	B2	0.25	0.28
	0.25	0.275		0.24	0.26
	0.27	0.31		0.26	0.29
	0.28	0.326		0.27	0.31
C1	0.28	0.326	C2	0.27	0.31
	0.27	0.31		0.26	0.29
	0.29	0.32		0.28	0.33
	0.30	0.31		0.29	0.32

