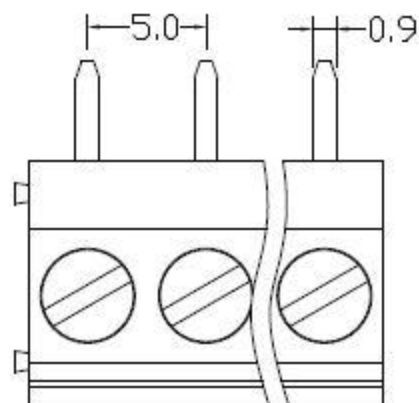


250V 16A 2.5mm²

Poles: 2P\3P\4P\5P

Pitch: 5.0mm

Pin Dimension:0.8X0.9mm



Materials

Housing: Polyamide 6.6,Green

Solder Pin: Brass,0.8t,Tin Plated.

Wire Cage: Steel,0.7t,Zinc Plated.

Screw: M2.5,Steel,Zinc Plated.