

MLytic AG (Snap-In applicable)

mundorf.com/en/



The **MLytic® AG · Audio Grade Power Cap** series is especially engineered for use in small power and pre amplifiers.

MLGO · glue-on capacitors offer non-magnetic, straight, tinned copper wires \varnothing 1.2mm \approx AWG17. Additionally they own a vibration-reducing, traction-relieving, self-adhesive **MPSA · Mounting Pad**.

They supersede the well-known MLSI series. Drill hole spacing [pitch] of **MLGO · glue-on** remains 10mm/0.39inch. Hence they are snap-in capacitor intermateable and so particularly suitable for repairs and modifications.

The **MLytic® AG · Audio Grade Power Cap** series offers all benefits of Mundorf's unique MLytic® technology as described plus the following features:

Supply availability

- Typically immediately ex stock for all types listed below
- 4-6 weeks for your individual combination of features · from 144 pcs only

Versatile applicable

- RoHS-compliant · lead free
- REACH compliant
- Finest UL-listed ingredients only
- Sectional specifications DIN 41332 · IEC 60384-4
- Climatic category IEC 60068 40/105/56

Indication of origin

Made in Germany with greatest care

Capacitance range

470 μ F to 3 300 000 μ F

DC voltage range

16 · 25 · 35 · 40 · 50 · 63 · 80 · 100 · 160

Temperature range

- -40°C/-40°F to 125°C/+255°F [16V to 63V]
- -25°C/-13°F to 105°C/+220°F [100V to 160V]

Diverse connectors

- PI · plug-in
- GO · glue-on
- SC · screw terminal · clamp mounted
- SB · screw terminal · bolt mounted

Useful lifetime [U_R · I_R]

- 3 000 hours at 125°C/255°F [16V to 63V]
- 8 000 hours at 105°C/220°F [16V to 160V]
- 16 000 hours at 85°C/185°F [16V to 160V]

Rated lifetime [U_R]

- 1 000 hours at 125°C/255°F [16V to 63V]
- 2 000 hours at 105°C/220°F [16V to 160V]

Case diameters [mm]

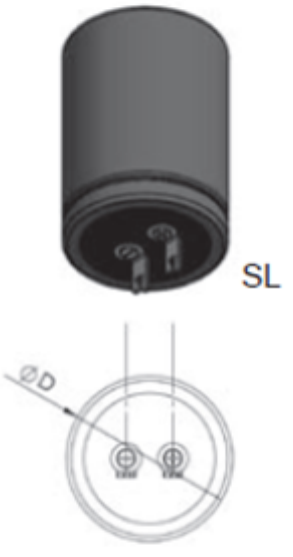
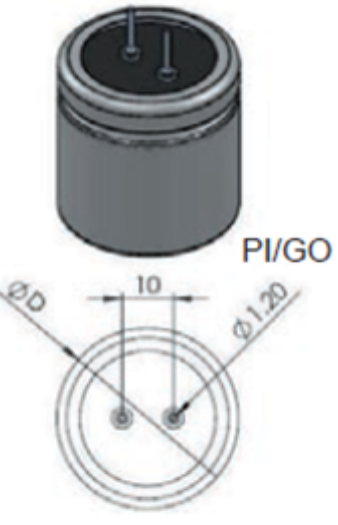
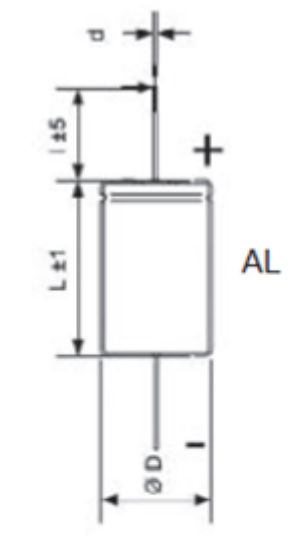
10 · 12 · 14 · 16 · 18 · 20 · 25 · 30 · 35 · 40 · 45 · 50 · 65 · 75 · 90

Case heights [mm]

customized from 25 to 230 [typically in 5mm steps]



Case diameters [inch]	0.39 · 0.47 · 0.55 · 0.63 · 0.74 · 0.79 · 0.98 · 1.18 · 1.38 · 1.57 · 1.77 · 1.97 · 2.56 · 2.95 · 3.54
Case heights [inch]	Customized from 0.98 to 9.06 [typically in 0.2inch steps]
External insulation	Lead free PVC sleeve with end disk voltage proof ≥ 2500 AC
Leakage current [I_L]	$\leq 0.008 * C_R[\mu F] * U_R + 6\mu A$ after 5 min. at U_R
[ESL]	20nH equivalent series inductance
Maximal reverse voltage	2V



MLytic AG Glue-On 2Pin (Snap-In compatible)

Order Code	Capacitance [μF]	[VDC]	Body $\varnothing * H$ [mm]	Wire $\varnothing * L$ [mm]	Retail [€]
MLGO100-1000	1000 $\pm 20\%$	100	25 * 30	1,2 * 9	10,90
MLGO100-1500	1500 $\pm 20\%$	100	25 * 35	1,2 * 9	11,90
MLGO80-10000	10000 $\pm 20\%$	80	35 * 50	1,2 * 9	25,90
MLGO63-2200	2200 $\pm 20\%$	63	25 * 30	1,2 * 9	10,90
MLGO63-3300	3300 $\pm 20\%$	63	30 * 30	1,2 * 9	11,90
MLGO63-4700	4700 $\pm 20\%$	63	30 * 35	1,2 * 9	13,90
MLGO63-6800	6800 $\pm 20\%$	63	30 * 40	1,2 * 9	15,90
MLGO63-8200	8200 $\pm 20\%$	63	30 * 45	1,2 * 9	17,90
MLGO63-10000	10000 $\pm 20\%$	63	30 * 50	1,2 * 9	19,90
MLGO63-15000	15000 $\pm 20\%$	63	35 * 60	1,2 * 9	24,90
MLGO63-22000	22000 $\pm 20\%$	63	35 * 70	1,2 * 9	34,90
MLGO40-4700	4700 $\pm 20\%$	40	25 * 30	1,2 * 9	10,90
MLGO40-6800	6800 $\pm 20\%$	40	25 * 35	1,2 * 9	12,90
MLGO40-10000	10000 $\pm 20\%$	40	30 * 40	1,2 * 9	14,90
MLGO40-22000	22000 $\pm 20\%$	40	35 * 50	1,2 * 9	24,90
MLGO40-33000	33000 $\pm 20\%$	40	35 * 60	1,2 * 9	29,90
MLGO25-10000	10000 $\pm 20\%$	25	25 * 35	1,2 * 9	11,90
MLGO25-22000	22000 $\pm 20\%$	25	30 * 40	1,2 * 9	17,90
MLGO25-47000	47000 $\pm 20\%$	25	35 * 50	1,2 * 9	24,90