



■ Feature:

- Can be used as a rechargeable battery and ideal for backing up purpose.
- Capable of several hundreds of thousands of charge/dicharge cycles;free from throwaway disposal.
- It does not contain toxic materials such as nickel and cadmium.

■ Product List

Series	Category	Category temp.range °C		Capacitance range (F)	Max.operating voltage V.DC	Color of sleeve	Letter Color	appearance
		Min.	Max.					
DRE	High Energy, High power type, High temperature	-25	+70	1.0~100	2.5	Black	Silver	
DRL	High Energy, High power type, Low ESR	-25	+60	1.0~100	2.7	Black	Silver	

■ Part Number System

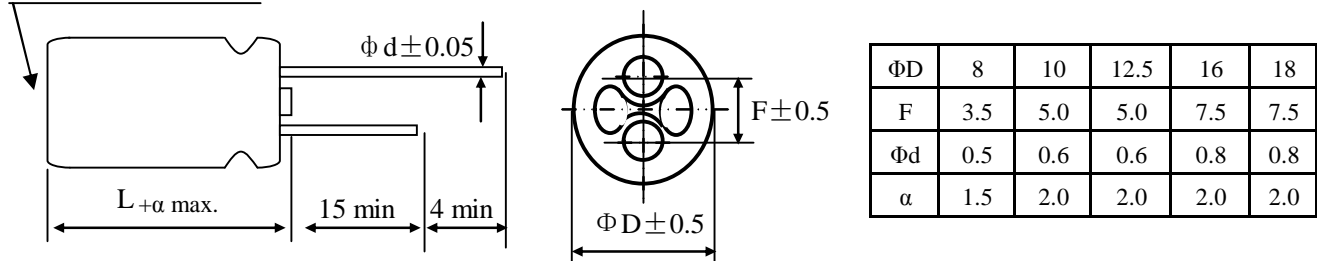
□ □ □ DRE Series		□ □ □ 105 Capacitance		□ M Tolerance		□ □ 0E Voltage		□ F Case Dia.		□ □ 22 Case Len.		□ □ RR Type	
Series	Cap.(F)	Code	Tol.(%)	Code	Vol. (V)	Code	Dia. (mm)	Code	Len. (mm)	Code	Feature	Code	
DRE	1.0	105	+20 -20	M	2.5	0E	8	F	5	05	Radial bulk	RR	
DRL	3.3	335	+20 -10	V	2.7	0T	10	G	6	06	SNAP-IN	SW	
	4.7	475					12.5	I	8	08			
	10	106					16	K	11.5	1A			
	22	226					18	L	12.5	1B			
	33	336					22	N	31.5	3A			
	50	506					25	O	12	12			
	90	906							20	20			
	100	107							22	22			
									30	30			
									40	40			
									45	45			

series: DRE

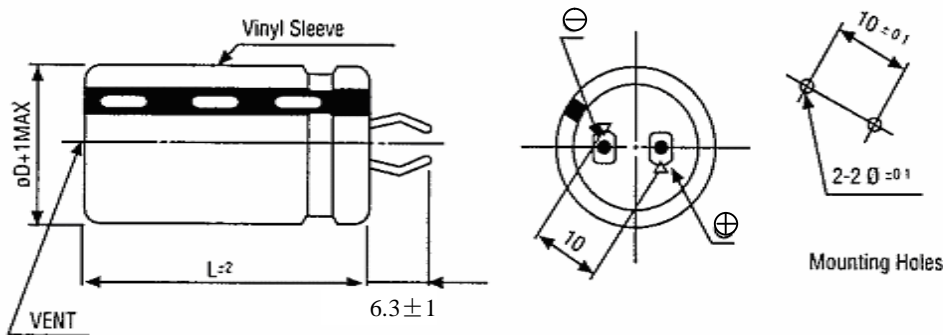
■ Dimensions in mm(not to scale)

Terminal:RR (Case diameters 8, 10, 12.5, 16, 18)

Safety vent for $\geq \phi 6.3$



Terminal:SW (Case diameters 22, 25)



■ Standard Ratings

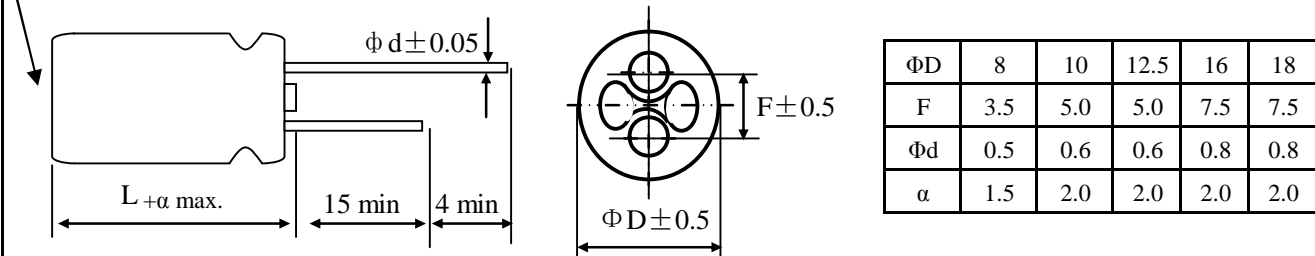
Maximum Operating Voltage(V.DC)	Rated Capacitance(F)	Internal resistance (Ω) at 1kHz	$\Phi D \times L$ (mm)	Leakage Current(mA) (2.5V/30 minutes)	Part number
2.5	1.0	≤ 0.500	8×12	0.5	DRE105M0EF12RR
2.5	3.3	≤ 0.200	10×20	1.7	DRE335M0EG20RR
2.5	5.0	≤ 0.200	10×20	2.5	DRE505M0EG20RR
2.5	10	≤ 0.100	12.5×25	5.0	DRE106M0EI25RR
2.5	22	≤ 0.060	16×30	11	DRE226M0EK30RR
2.5	30	≤ 0.040	16×35	15	DRE306M0EK35RR
2.5	50	≤ 0.030	18×40	25	DRE506M0EL40RR
2.5	90	≤ 0.025	22×45	45	DRE906M0EN45SW
2.5	100	≤ 0.025	25×45	50	DRE107M0EO45SW

series: DRL

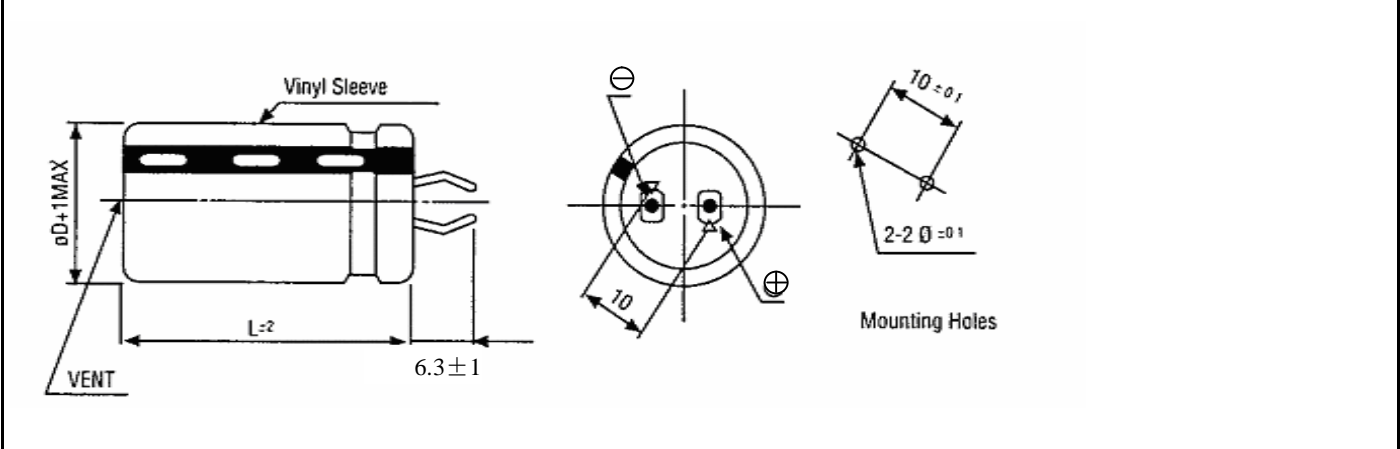
■ Dimensions in mm(not to scale)

Terminal:RR (Case diameters 8, 10, 12.5, 16, 18)

Safety vent for $\geq \phi 6.3$



Terminal:SW (Case diameters 22, 25)



■ Standard Ratings

Maximum Operating Voltage(V.DC)	Rated Capacitance(F)	Internal resistance (Ω) at 1kHz	$\Phi D \times L$ (mm)	Leakage Current(mA) (2.7V/30 minutes)	Part number
2.7	1.0	≤ 0.400	8×12	0.5	DRL105M0TF12RR
2.7	3.3	≤ 0.160	10×20	1.7	DRL335M0TG20RR
2.7	5.0	≤ 0.160	10×20	2.5	DRL505M0TG20RR
2.7	10	≤ 0.080	12.5×25	5.0	DRL106M0TI25RR
2.7	22	≤ 0.050	16×30	11	DRL226M0TK30RR
2.7	30	≤ 0.030	16×35	15	DRL306M0TK35RR
2.7	50	≤ 0.025	18×40	25	DRL506M0TL40RR
2.7	90	≤ 0.020	22×45	45	DRL906M0TN45SW
2.7	100	≤ 0.020	25×45	50	DRL107M0TO45SW

Design and specifications are each subject to change without notice. Ask factory for the current technical specifications before purchase and use. Should a safety concern arise regarding this product, please be sure to contact us immediately.